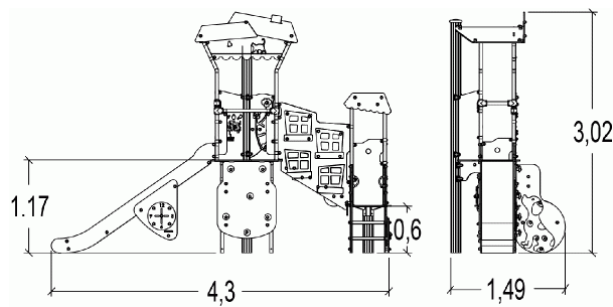


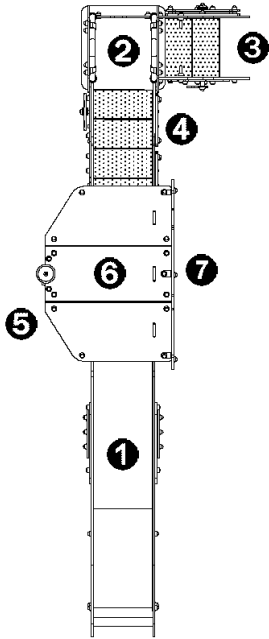
Physical inclusion
Sensory inclusion
Cognitive inclusion



Play value : **26**

climbing	role play	sliding	meeting	resting	handling	hiding	taking shelter
x1	x6	x1	x2	x1	x2	x1	x1
thinking	tactile stimulation	visual stimulation	climbing				
x3	x4	x1	x3				



Components

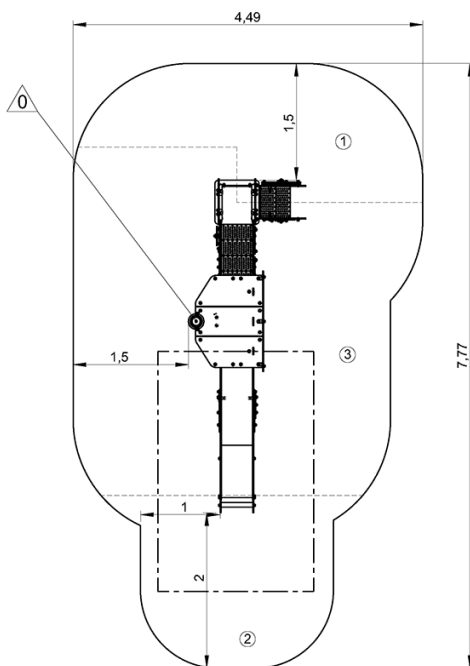


- ① Slide
- ② Themed square platform
- ③ Stairway
- ④ Intermediate staircase
- ⑤ Maze panel
- ⑥ Themed tower
- ⑦ Climbing wall

Installation of equipment

IMPORTANT: It is essential to refer to the installation instructions for information on the size of the safety areas.

-  Impact area (minimum normative surface)
-  Free space



1	0,6m	6m ²
2	1m	5m ²
3	1,17m	17m ²



2



12h00



0.26m³



28m²



294kg



17kg

