



2+



30



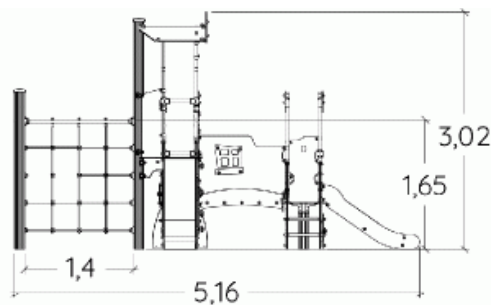
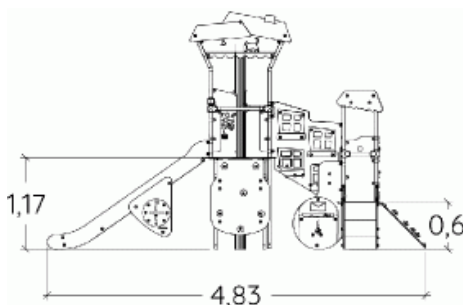
1,8m



1 = 5,16m
2 = 4,83m
3 = 3,02m



Physical inclusion
Sensory inclusion
Cognitive inclusion



Play value : **31**

climbing



x2

role play



x7

sliding



x2

meeting



x3

resting



x1

handling



x1

hiding



x1

taking shelter



x1

thinking



x2

tactile stimulation



x3

visual stimulation



x2

climbing



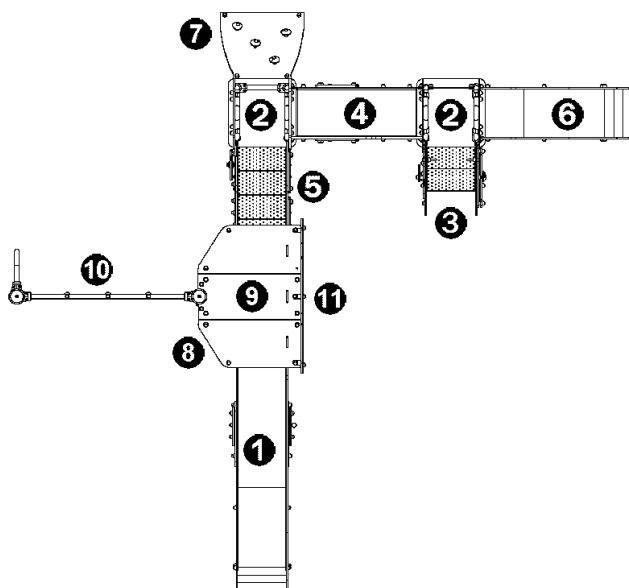
x4

getting across



x2

Components

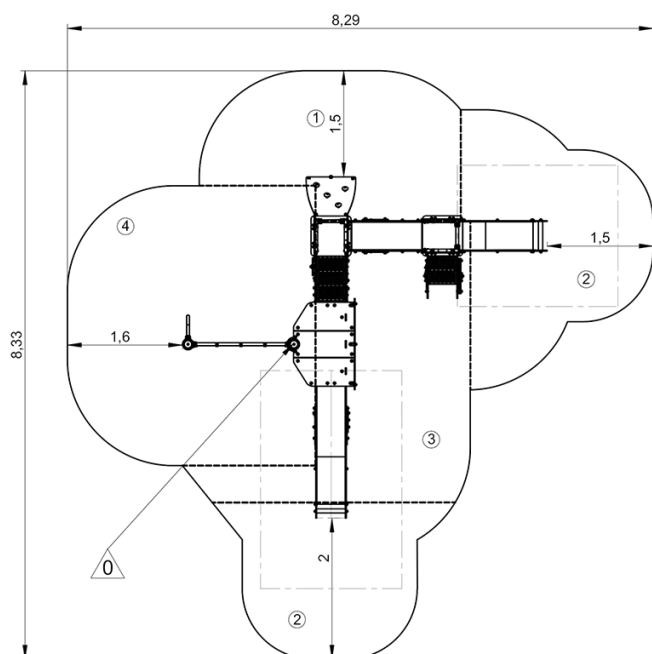


- ❶ Slide
- ❷ Themed square platform
- ❸ Stairway
- ❹ Closed bridge
- ❺ Intermediate staircase
- ❻ Slide
- ❼ Slope
- ❽ Maze panel
- ❾ Themed tower
- ❿ Climbing net
- ⓫ Climbing wall

Installation of equipment

IMPORTANT: It is essential to refer to the installation instructions for information on the size of the safety areas.

- Impact area (minimum normative surface)
- Free space



1	0,6m	6,5m ²
2	1m	13m ²
3	1,17m	9,5m ²
4	1,8m	12,5m ²



2

16h00

0m³

41.5m²

439kg

19kg

EN

1176