


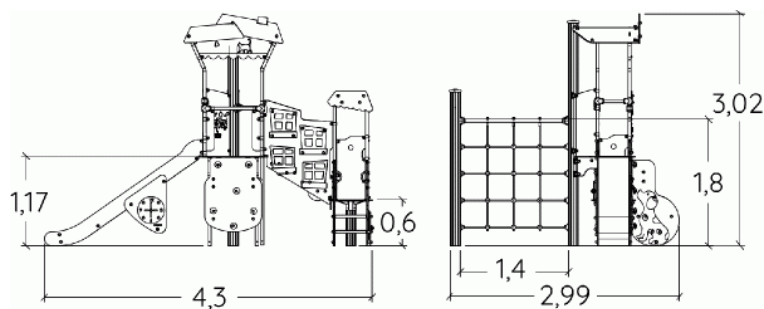
 **2+**
 **18**
 **1,8m**


 1 = 4,3m
 2 = 2,99m
 3 = 3,02m



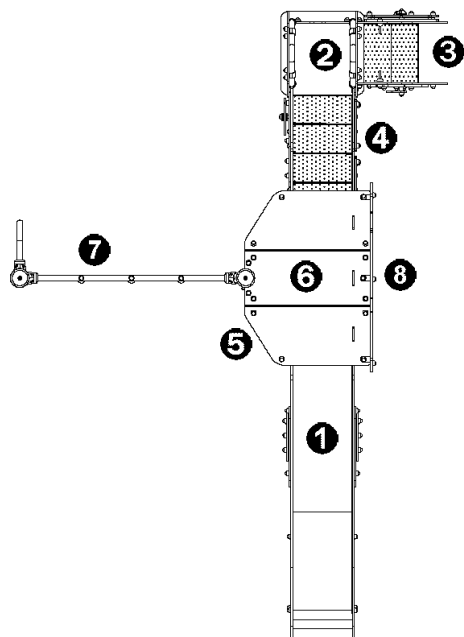
Physical inclusion
Sensory inclusion
Cognitive inclusion



Play value : **24**

climbing  x1	role play  x5	sliding  x1	meeting  x2	resting  x1	handling  x1	hiding  x1	taking shelter  x1
thinking  x2	tactile stimulation  x3	visual stimulation  x1	climbing  x4	getting across  x1			

Components

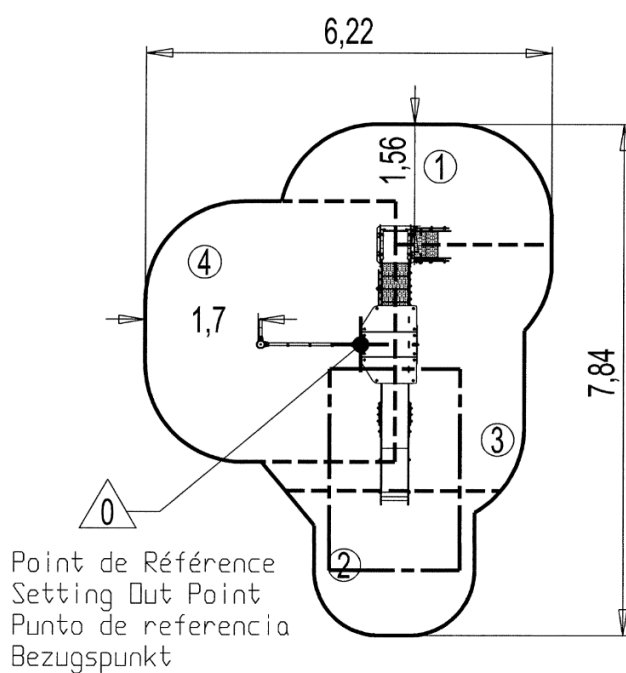


- ① Slide
- ② Themed square platform
- ③ Stairway
- ④ Intermediate staircase
- ⑤ Maze panel
- ⑥ Themed tower
- ⑦ Climbing net
- ⑧ Climbing wall

Installation of equipment

IMPORTANT: It is essential to refer to the installation instructions for information on the size of the safety areas.

- Impact area (minimum normative surface)
- Free space



1	0,6m	6m ²
2	1m	5,5m ²
3	1,17m	8m ²
4	1,8m	13,5m ²



2



12h00



0.2m³



33m²



325kg



19kg

