



2+



12



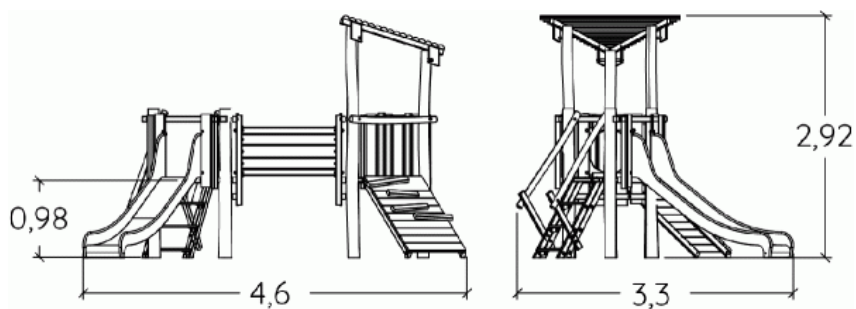
1m



1 = 3,3m  
2 = 4,6m  
3 = 2,9m



Physical inclusion  
Sensory inclusion  
Cognitive inclusion



Play value : **10**

role play



x1

sliding



x1

meeting



x2

crawling



x1

hiding



x1

taking shelter



x1

climbing



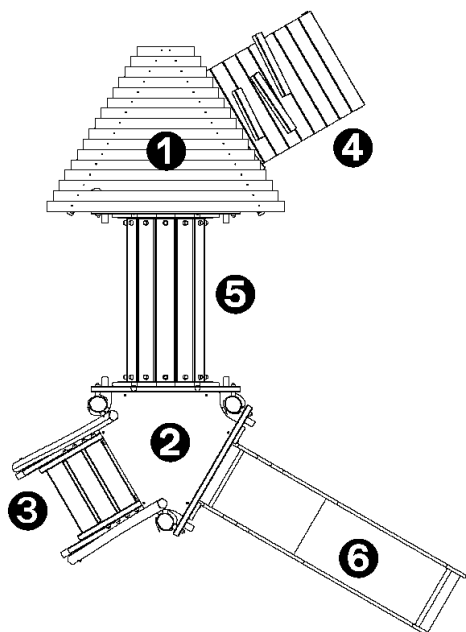
x2

getting across



x1

## Components

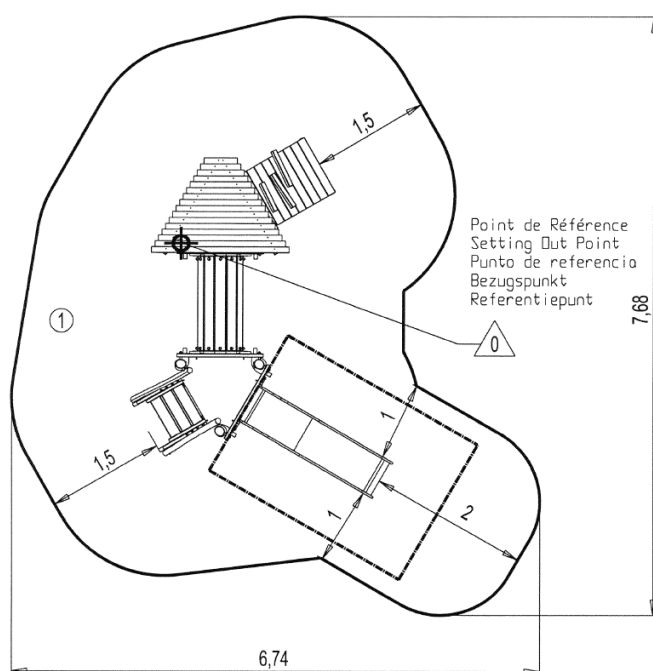


- ① Roof
- ② Platform Ht: 0.97m
- ③ Stairs
- ④ Sloping ramp with logs Ht: 0.97m
- ⑤ Tunnel
- ⑥ Slide Ht: 0.97m

## Installation of equipment

**IMPORTANT:** It is essential to refer to the installation instructions for information on the size of the safety areas.

- Impact area (minimum normative surface)
- Free space



1	1m	36m <sup>2</sup>



2



12h00



0m<sup>3</sup>



36m<sup>2</sup>



543kg



53kg

