



5 11 004 011 10

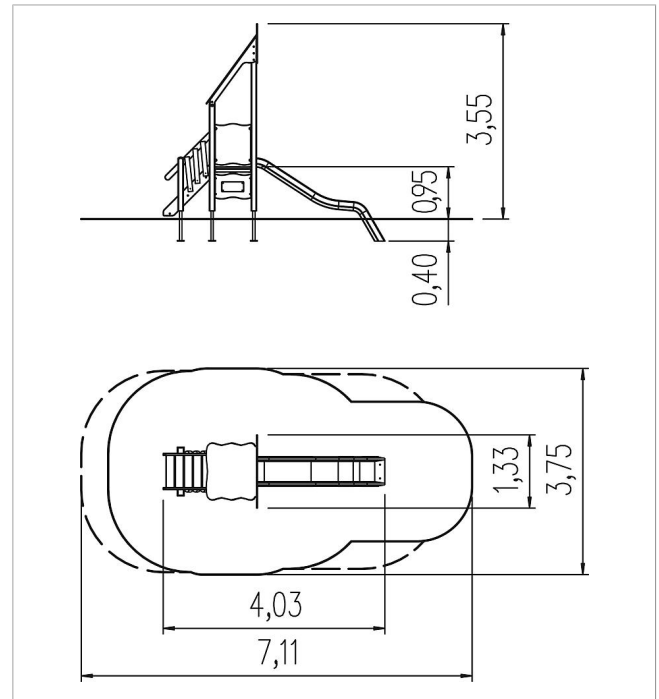
**playo play unit Tim,
solo**





made in germany



Scope of delivery

6x post construction: SW
6x post shoe: steel galvanised
1x platform construction: SW
2x wall panel: HPL
2x cord protection: HPL
1x palm tree roof: HPL
1x slide entry plate: HPL
1x play panel gear wheel: HPL
1x staircase: SW
fittings: stainless steel



| | | |
|---|-----------------------|---------------------|
|  | Material | SW pi |
|  | Foundation level | ET 400 |
|  | Minimum space | 7,11x3,75x3,55 m |
|  | Free falling height | 95 cm |
|  | Impact protection net | 20,0 m ² |
|  | Foundations | 6x CF or 4x PFs |
|  | Assembly | 2 persons/6 h |