



2-8



1



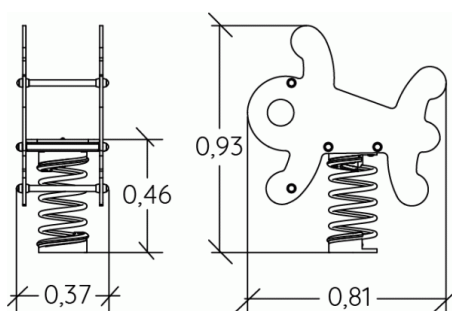
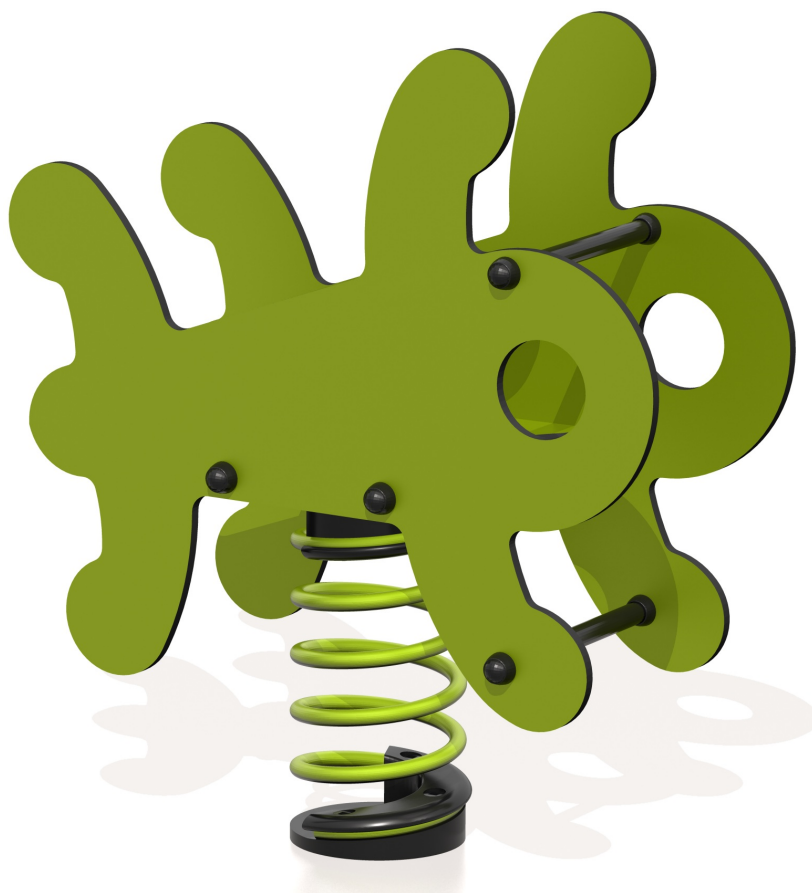
0,6m



1 = 0,81m  
2 = 0,37m  
3 = 0,93m



Physical inclusion  
Sensory inclusion  
Cognitive inclusion



Play value :

3

role play



x1

balancing



x1

Oscillate



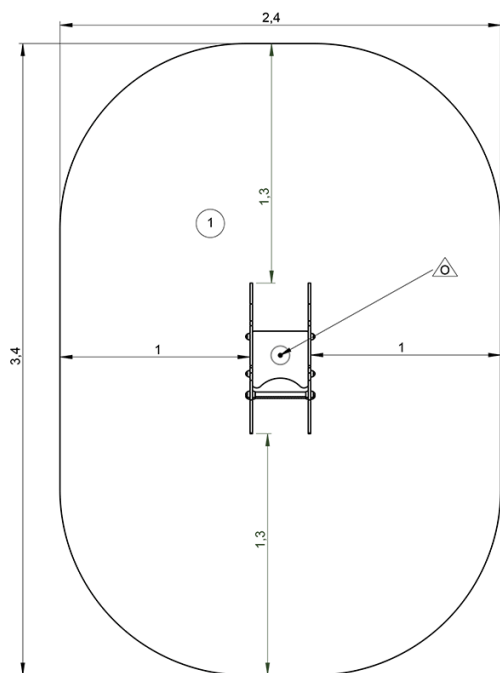
x1

## Installation of equipment

**IMPORTANT:** It is essential to refer to the installation instructions for information on the size of the safety areas.

**————** Impact area (minimum normative surface)

**- - - -** Free space



|   |      |                 |
|---|------|-----------------|
| 1 | 0,6m | 7m <sup>2</sup> |
|---|------|-----------------|



1

01h00

0m<sup>3</sup>

7.5m<sup>2</sup>

30kg

11kg

EN

1176