


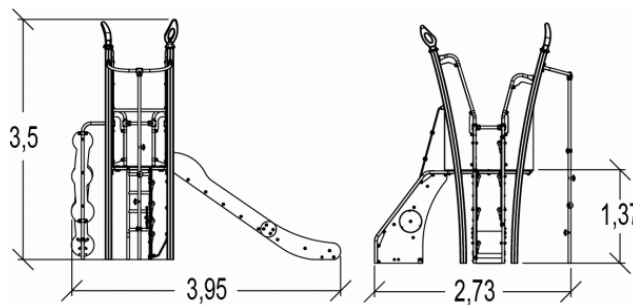
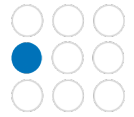
 **3+**
 **12**
 **1,9m**



 1 = 3,95m
 2 = 2,73m
 3 = 3,5m



Physical inclusion
Sensory inclusion
Cognitive inclusion



Play value :

9

climbing



x2

sliding



x1

meeting



x1

balancing



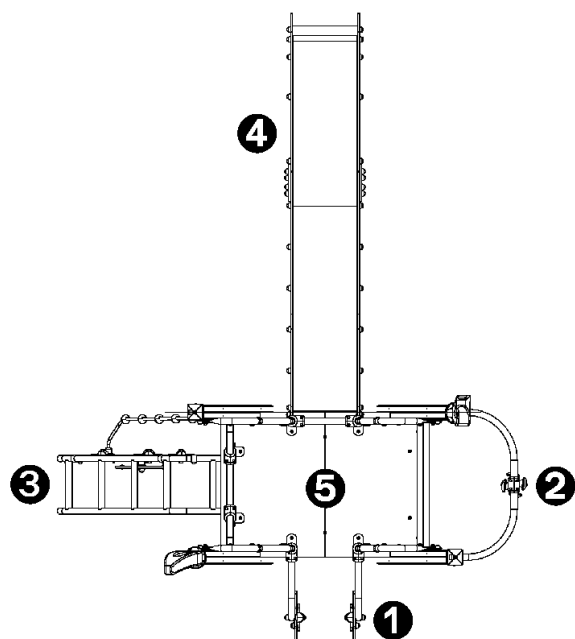
x2

climbing



x3

Components

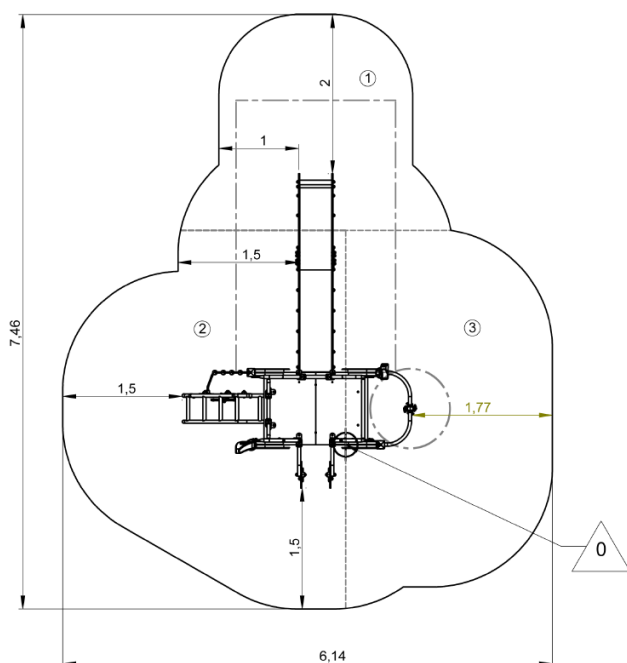


- ❶ Climbing unit, HT: 1.37m
- ❷ Coconut tree mast
- ❸ Climbing ladder
- ❹ Slide Ht : 1.37m
- ❺ Platform with roof, Ht: 1.37m

Installation of equipment

IMPORTANT: It is essential to refer to the installation instructions for information on the size of the safety areas.

-  Impact area (minimum normative surface)
-  Free space



1	1m	7m ²
2	1,37m	14m ²
3	1,9m	11m ²



2



14h00



0.5m³



32m²



333kg



26kg

