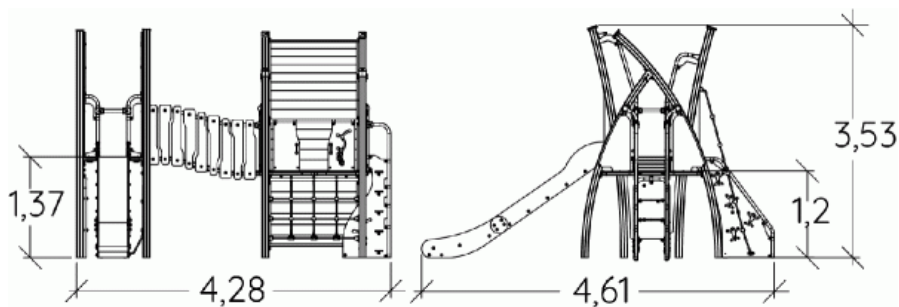


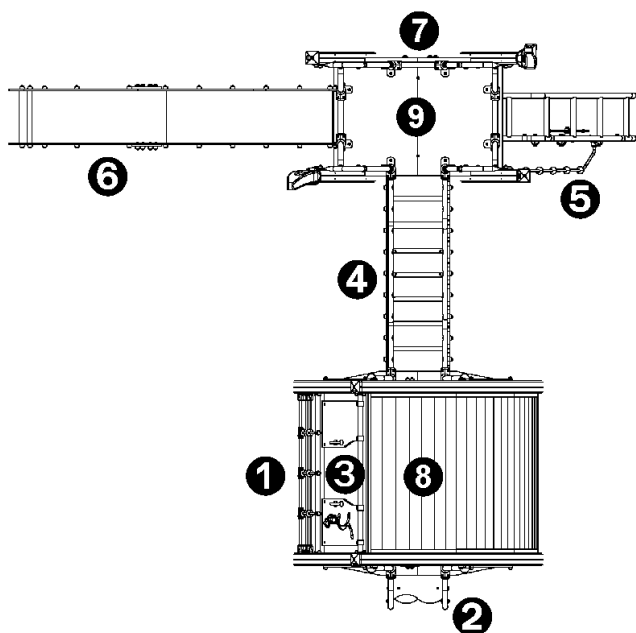
Physical inclusion  
Sensory inclusion  
Cognitive inclusion



Play value : **20**

climbing  x2	role play  x1	sliding  x1	meeting  x2	handling  x2	hiding  x1	balancing  x1	taking shelter  x1
thinking  x2	tactile stimulation  x2	climbing  x4	getting across  x1				

## Components

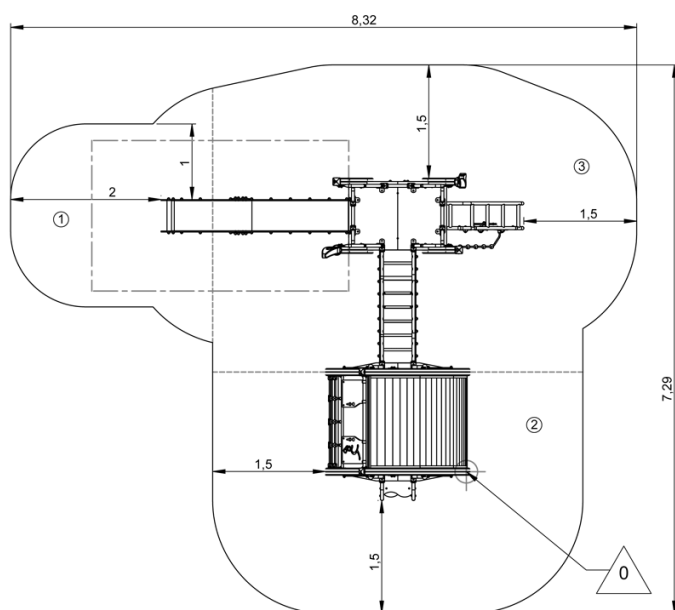


- ① filet Ht : 1,17 m
- ② Stairs Ht: 1.17m
- ③ Play panel
- ④ Tilted bridge
- ⑤ Climbing unit, HT: 1.37m
- ⑥ Slide Ht : 1.37m
- ⑦ Climbing wall Ht: 1.37m
- ⑧ Platform H: 1.17m
- ⑨ Platform with no roof, Ht: 1,37m

## Installation of equipment

**IMPORTANT:** It is essential to refer to the installation instructions for information on the size of the safety areas.

-  Impact area (minimum normative surface)
-  Free space



1	1m	7m <sup>2</sup>
2	1,17m	15m <sup>2</sup>
3	1,37m	20,5m <sup>2</sup>



2



17h00



0.6m<sup>3</sup>



42.5m<sup>2</sup>



696kg



28kg

EN

1176