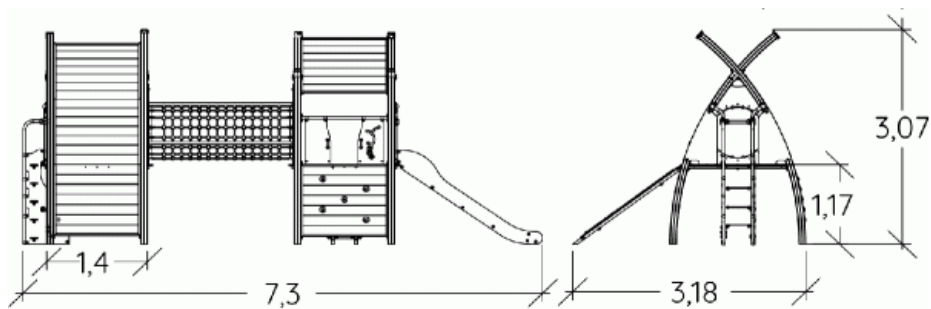


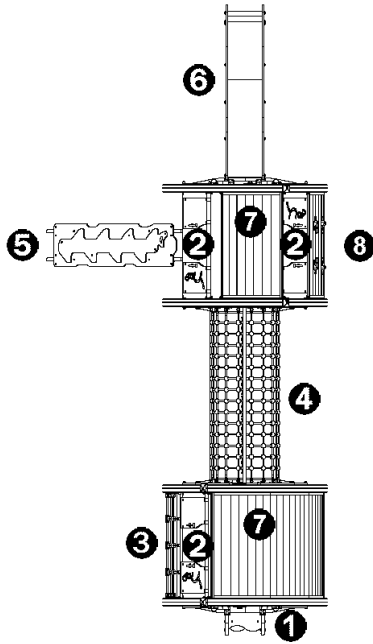
Physical inclusion  
Sensory inclusion  
Cognitive inclusion



Play value : **26**

climbing  x1	role play  x1	sliding  x1	meeting  x2	handling  x4	crawling  x1	hiding  x1	balancing  x1
taking shelter  x2	thinking  x4	tactile stimulation  x4	climbing  x3	getting across  x1			



## Components

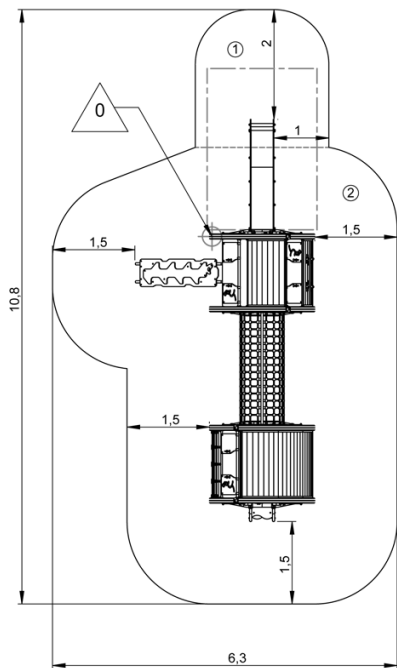


- ① Stairs Ht: 1.17m
- ② Play panel
- ③ filet Ht : 1,17 m
- ④ Net tunnel
- ⑤ Slope Ht: 1.17m
- ⑥ Slide Ht: 1.17m
- ⑦ Platform H: 1.17m
- ⑧ Climbing wall H: 1.7m

## Installation of equipment

**IMPORTANT:** It is essential to refer to the installation instructions for information on the size of the safety areas.

-  Impact area (minimum normative surface)
-  Free space



1	1m	6m <sup>2</sup>
2	1,17m	43m <sup>2</sup>



2



16h00



0.5m<sup>3</sup>



49m<sup>2</sup>



726kg



39kg

