



3+



23



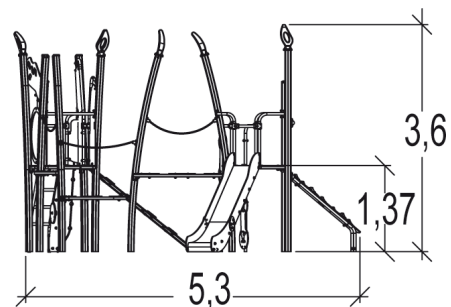
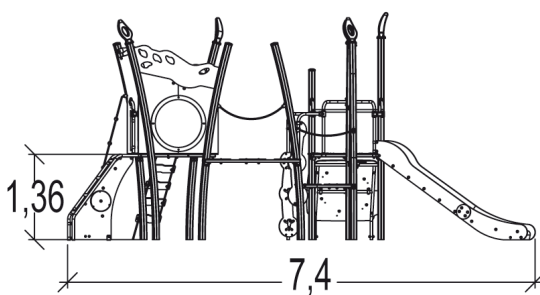
1,37m



1 = 7,35m
2 = 4,77m
3 = 3,49m



Physical inclusion
Sensory inclusion
Cognitive inclusion



Play value : **17**

climbing



x3

sliding



x1

meeting



x2

crawling



x1

balancing



x4

visual stimulation



x1

climbing



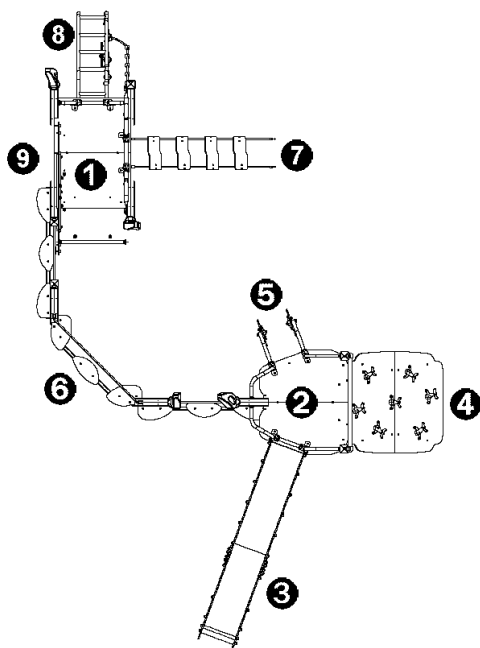
x3

getting across



x2



Components

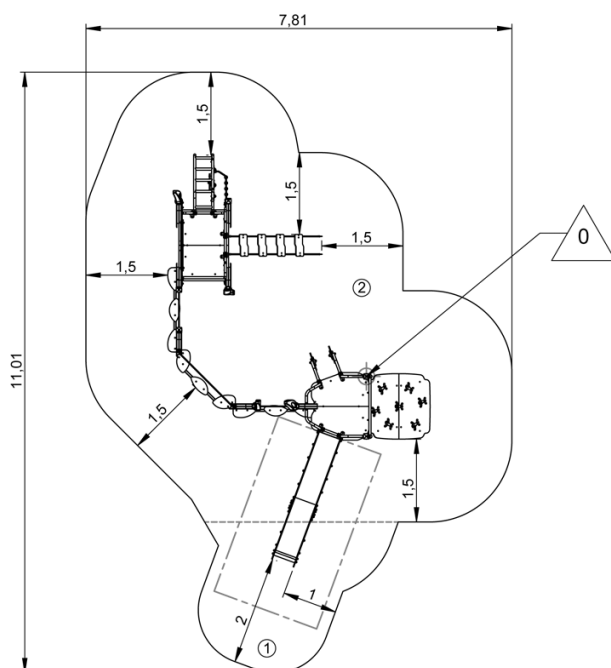


- ① Platform with no roof, Ht: 1,37m
- ② Platform with no roof, Ht: 1,37m
- ③ Slide Ht : 1.37m
- ④ Inclined ramp
- ⑤ Climbing ladder
- ⑥ Pathway
- ⑦ Net ladder
- ⑧ Climbing unit, HT: 1.37m
- ⑨ Play porthole

Installation of equipment

IMPORTANT: It is essential to refer to the installation instructions for information on the size of the safety areas.

-  Impact area (minimum normative surface)
-  Free space



| | | |
|---|-------|--------------------|
| 1 | 1m | 4,5m ² |
| 2 | 1,37m | 50,5m ² |



2

18h00

0.6m³

55m²

618kg

26kg

EN

1176