



3+



75



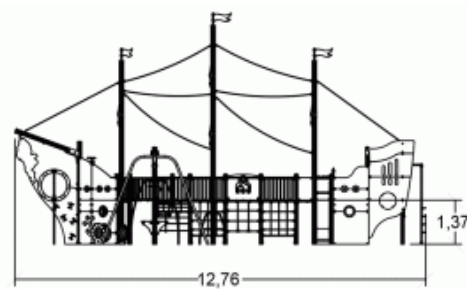
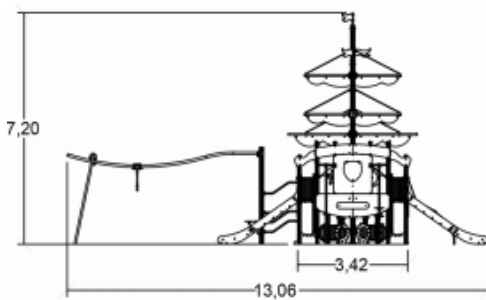
1,7m



1 = 13,09m
2 = 12,69m
3 = 6,9m



Physical inclusion
Sensory inclusion
Cognitive inclusion



Play value : **29**

climbing



x1

role play



x1

sliding



x3

meeting



x1

handling



x5

hanging



x1

balancing



x1

thinking



x2

tactile stimulation



x3

visual stimulation



x2

climbing



x3

getting across



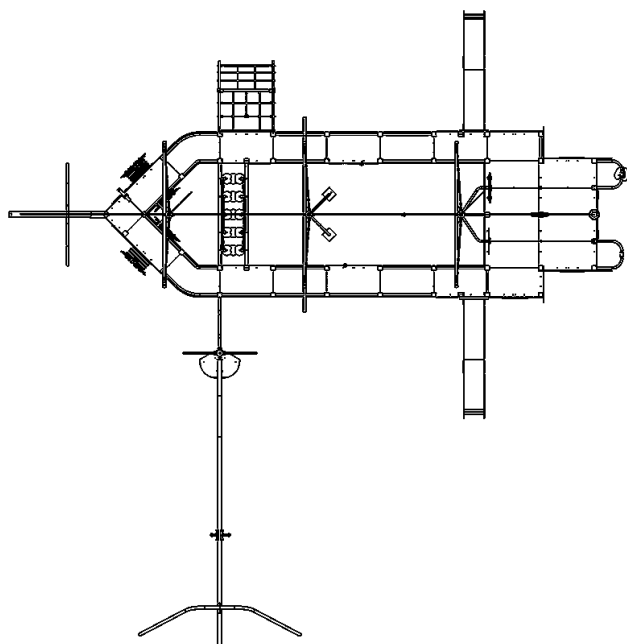
x2

crawling



x4



Components

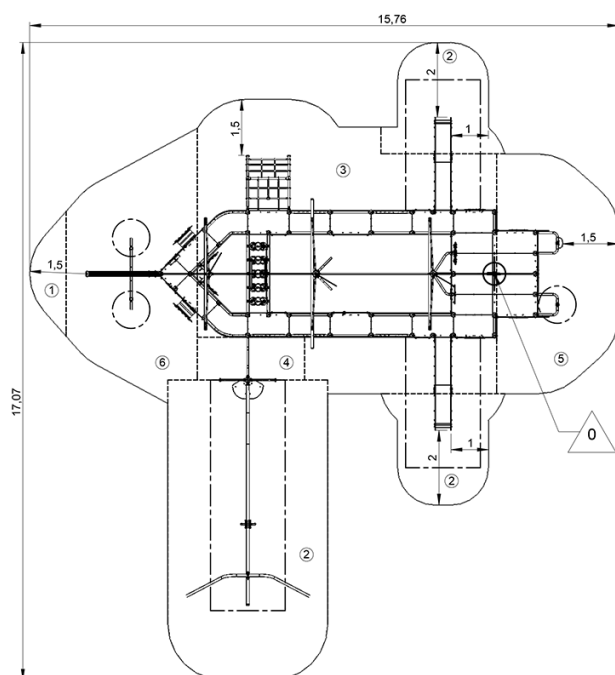


- ① Fireman's pole HT: 1.37
- ② Parrot mast HT: 1.37m
- ③ Incline net H: 1.37m
- ④ Telescope
- ⑤ Cableway
- ⑥ Slide H: 1.37m
- ⑦ Climbing net
- ⑧ Climbing net
- ⑨ Tunnel
- ⑩ Tunnel
- ⑪ The Pachinko Play Panel
- ⑫ Telescope
- ⑬ Climbing wall

Installation of equipment

IMPORTANT: It is essential to refer to the installation instructions for information on the size of the safety areas.

-  Impact area (minimum normative surface)
-  Free space



1	0,6m	2,5m ²
2	1m	47,5m ²
3	1,37m	54m ²
4	1,4m	3,5m ²
5	1,5m	18,5m ²
6	1,7m	20,5m ²



4

70h00

2.3m³

145.5m²

2877kg

42kg

EN

1176