



2-6



4



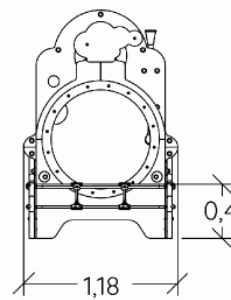
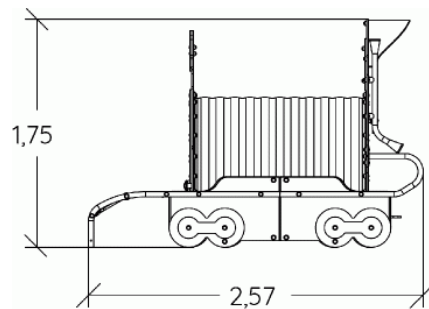
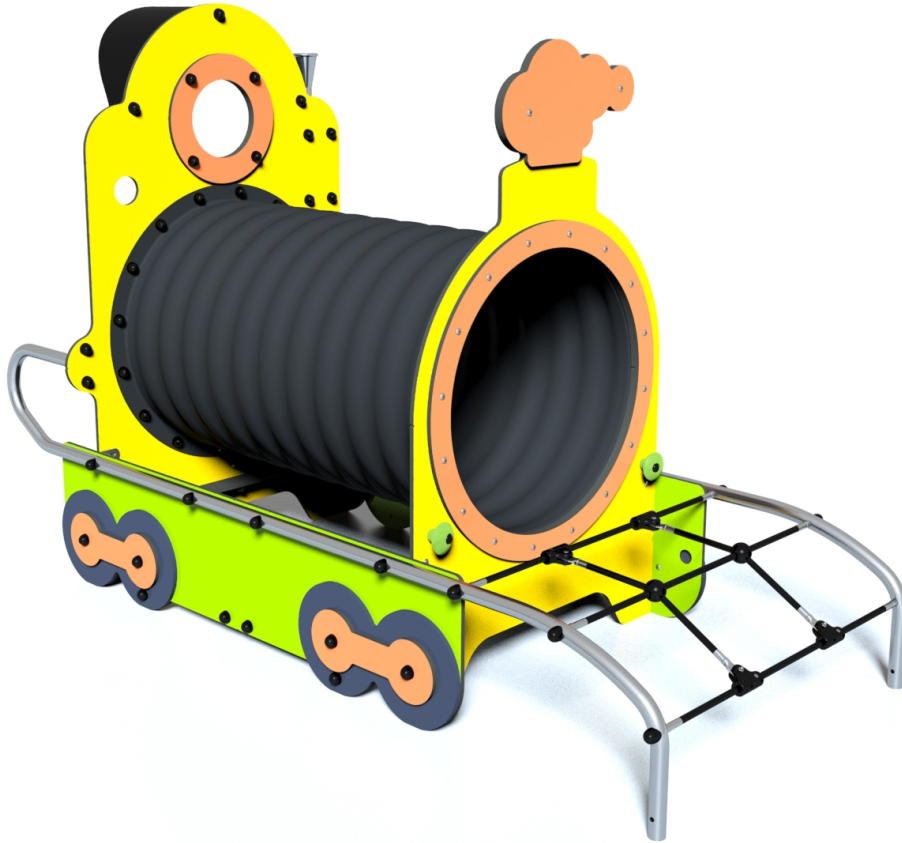
0,6m



1 = 2,46m
2 = 1,18m
3 = 1,75m



Physical inclusion
Sensory inclusion
Cognitive inclusion



Play value : **9**

role play



x1

meeting



x1

handling



x1

crawling



x1

hiding



x1

sound stimulation



x1

visual stimulation



x1

climbing



x1



getting across

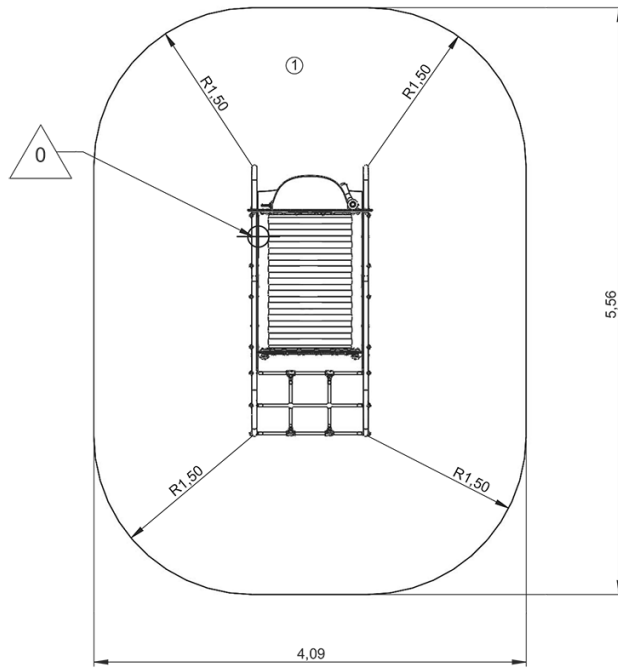




x1

Installation of equipment

IMPORTANT: It is essential to refer to the installation instructions for information on the size of the safety areas.

-  Impact area (minimum normative surface)
-  Free space



		
1	0,6m	21m ²



2



03h00



0.2m³



21m²



134kg



16kg

