



2-6



6



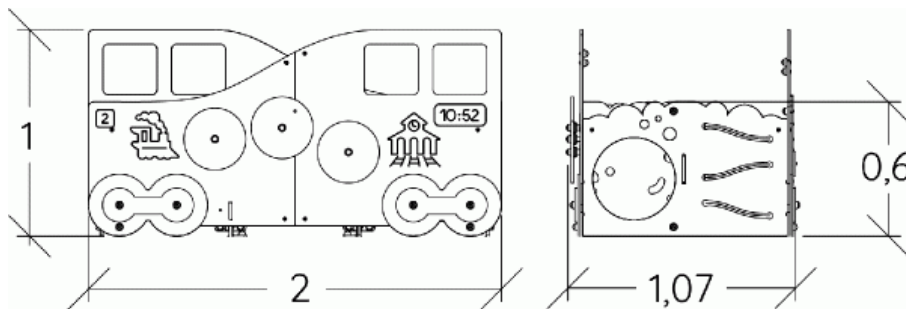
0,6m



1 = 2m
2 = 1,07m
3 = 1m



Physical inclusion
Sensory inclusion
Cognitive inclusion



Play value :

7

role play

meeting

resting

handling

thinking

tactile stimulation

visual stimulation



x1



x1



x1



x1



x1





x1

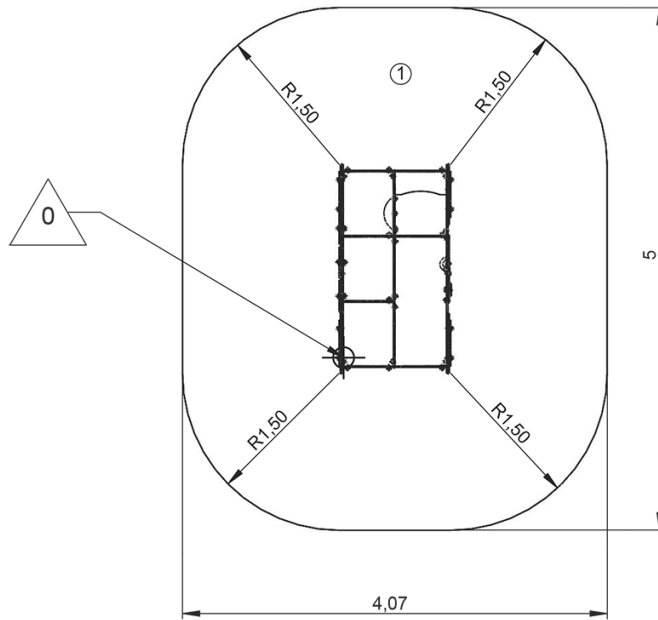




x1

Installation of equipment

IMPORTANT: It is essential to refer to the installation instructions for information on the size of the safety areas.

-  Impact area (minimum normative surface)
-  Free space



| | | |
|---|---|---|
| |  |  |
| 1 | 0,6m | 19m ² |



2



03h00



0.1m³



19m²



120kg



13kg

