



2-6



6



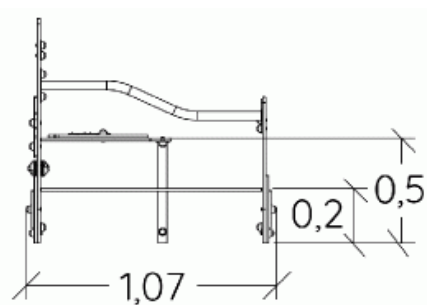
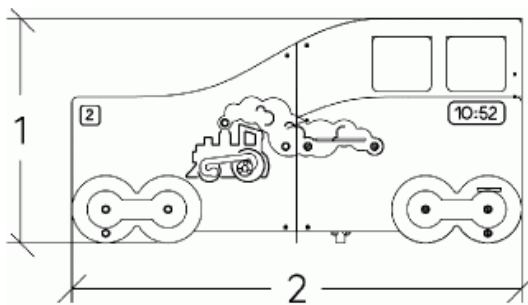
0,6m



1 = 2m  
2 = 1,07m  
3 = 1m



Physical inclusion  
Sensory inclusion  
Cognitive inclusion



**Play value :** **5**

role play



x1

meeting



x1

resting



x1

handling



x1


thinking



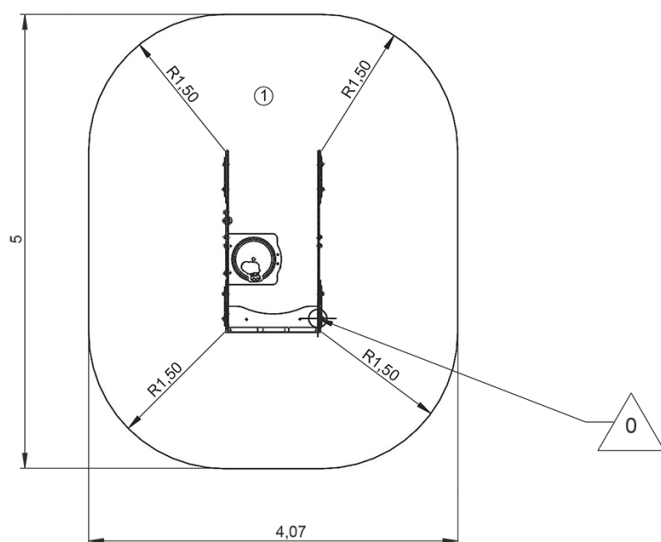
x1



## Installation of equipment

**IMPORTANT:** It is essential to refer to the installation instructions for information on the size of the safety areas.

 Impact area (minimum normative surface)

 Free space



		
1	0,6m	19m <sup>2</sup>



2



02h00



0.2m<sup>3</sup>



19m<sup>2</sup>



83kg



14kg

