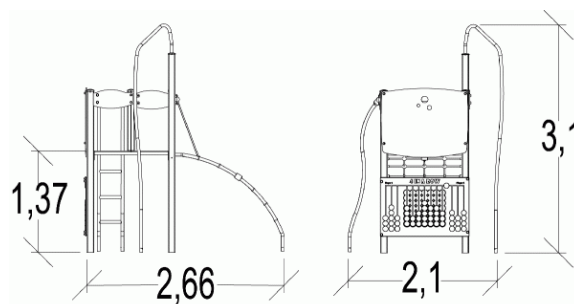


Physical inclusion
Sensory inclusion
Cognitive inclusion

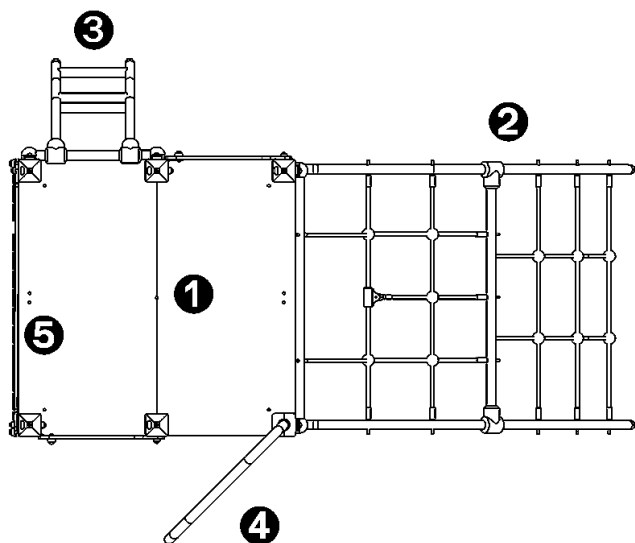


Play value :

8

role play	sliding	meeting	handling	thinking	visual stimulation	climbing
x1	x1	x1	x1	x1	x1	x2

Components

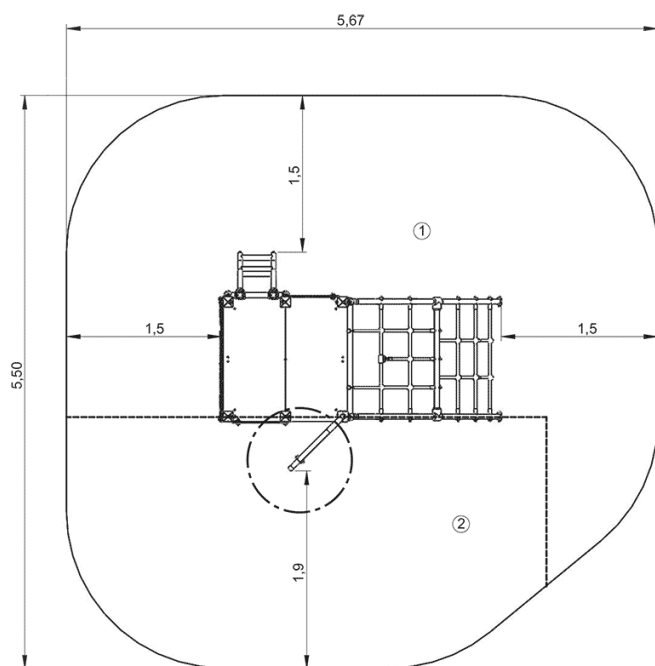


- ① Square platform
- ② Incline net H: 1.37m
- ③ Curved ladder
- ④ Fireman's pole H: 1.37m
- ⑤ 4 a la ligne

Installation of equipment

IMPORTANT: It is essential to refer to the installation instructions for information on the size of the safety areas.

-  Impact area (minimum normative surface)
-  Free space



1	1,37m	18m ²
2	2m	10m ²



2

10h00

0.27m³

28m²

234kg

22kg

EN

1176