



2-10



13



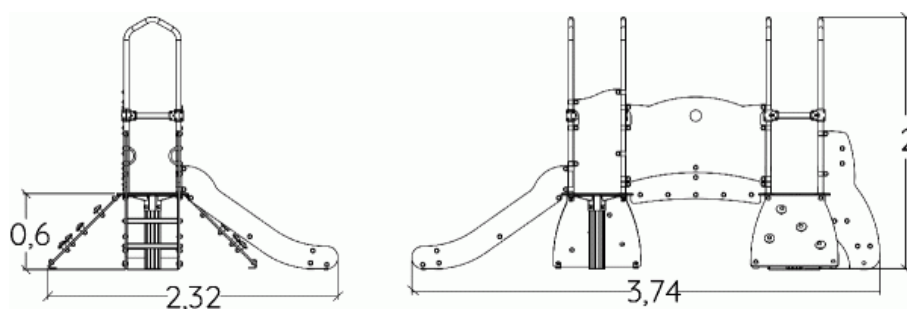
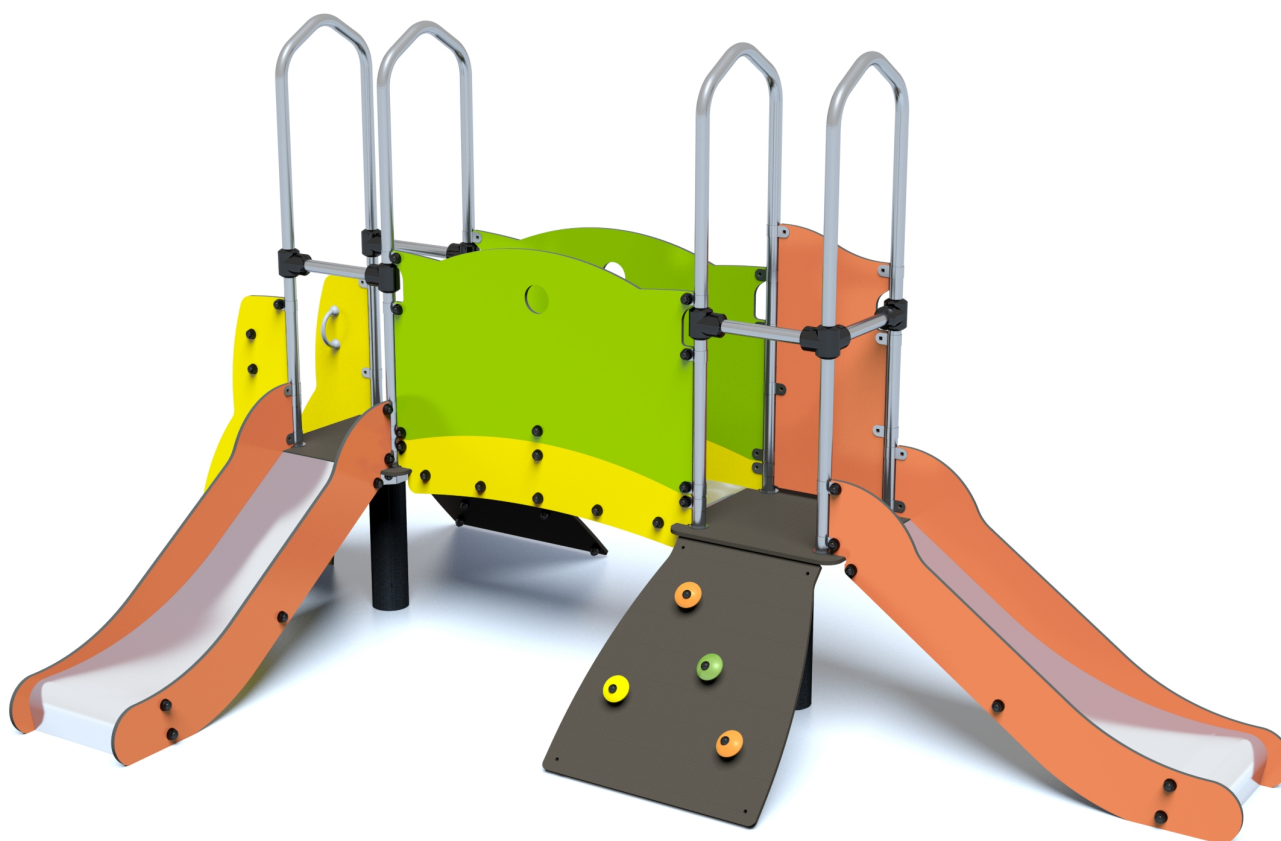
1m



1 = 3,74m
2 = 2,32m
3 = 2m



Physical inclusion
Sensory inclusion
Cognitive inclusion



Play value : 8

climbing



x2

sliding



x2

meeting



x2

climbing



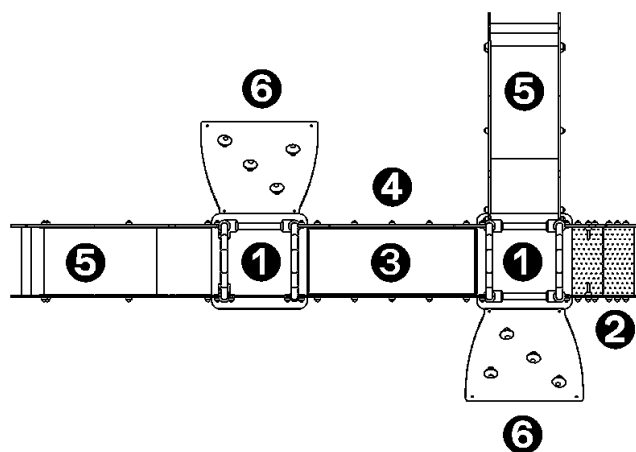
x1

getting across



x1

Components

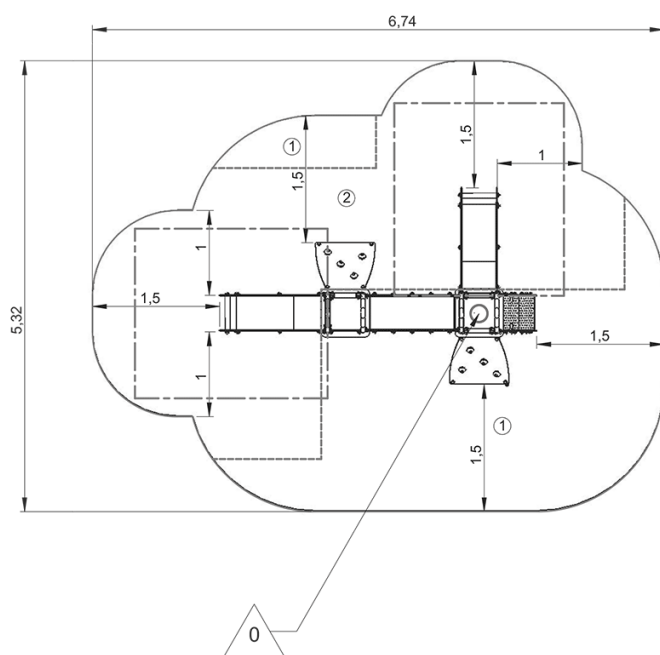


- ① Platform HT: 0.6m
- ② Steps
- ③ Walkway
- ④ Wall
- ⑤ Slide HT: 0.6m
- ⑥ Slope

Installation of equipment

IMPORTANT: It is essential to refer to the installation instructions for information on the size of the safety areas.

- Impact area (minimum normative surface)
- - - Free space



1	0,6m	12m ²
2	1m	15,5m ²



2

21h00

0.4m³

28m²

193kg

11kg

EN

1176