



2+



27



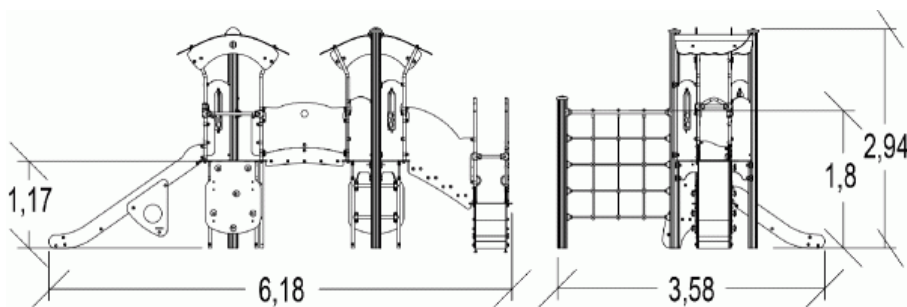
1,8m



1 = 6,18m  
2 = 3,58m  
3 = 2,94m



Physical inclusion  
Sensory inclusion  
Cognitive inclusion



Play value : **22**

climbing



x2

sliding



x2

meeting



x3

resting



x1

handling



x2

hiding



x1

taking shelter



x2

tactile stimulation



x2

climbing



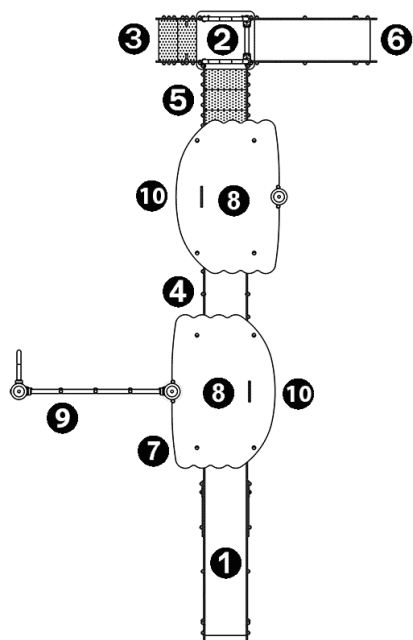
x5

getting across



x2



## Components

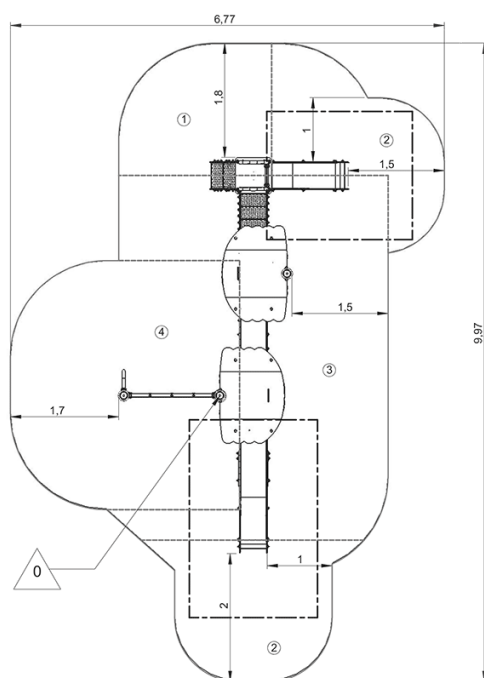


- ① Slide HT: 1.17m
- ② Platform HT: 0.6m
- ③ Steps
- ④ Walkway
- ⑤ Connecting staircase
- ⑥ Slide HT: 0.6m
- ⑦ Counting panel
- ⑧ Tower HT: 1.17m
- ⑨ Climbing net
- ⑩ Climbing wall

## Installation of equipment

**IMPORTANT:** It is essential to refer to the installation instructions for information on the size of the safety areas.

-  Impact area (minimum normative surface)
-  Free space



1	0,6m	5m <sup>2</sup>
2	1m	10m <sup>2</sup>
3	1,17m	17m <sup>2</sup>
4	1,8m	12m <sup>2</sup>



2



20h00



0.53m<sup>3</sup>



44m<sup>2</sup>



443kg



19kg

EN

1176