



2+



8



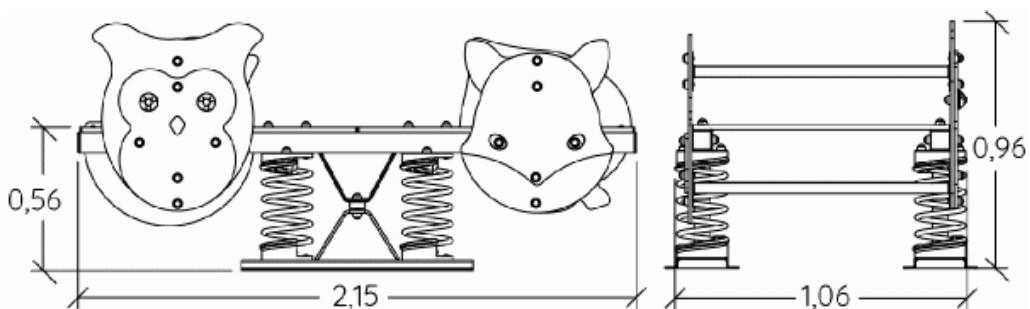
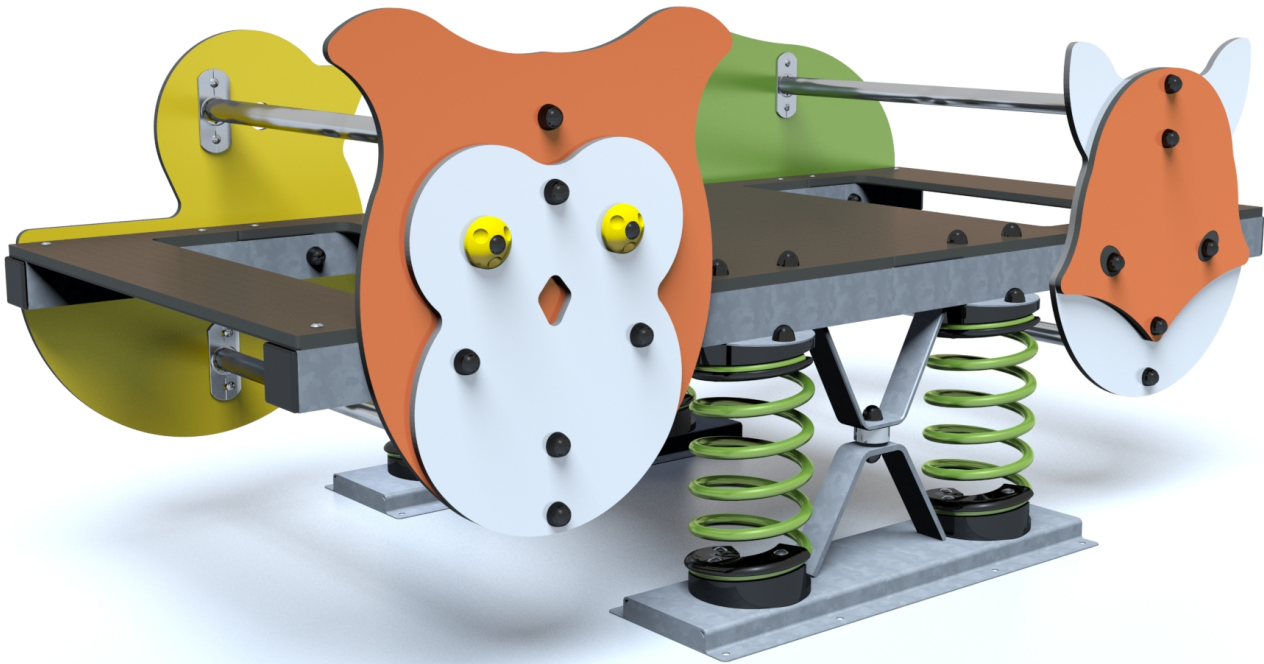
0,6m



1 = 2,15m
2 = 1,06m
3 = 0,96m



Physical inclusion
Sensory inclusion
Cognitive inclusion



Play value :

5

role play



x1

meeting



x1

resting



x1

balancing



x1

Oscillate



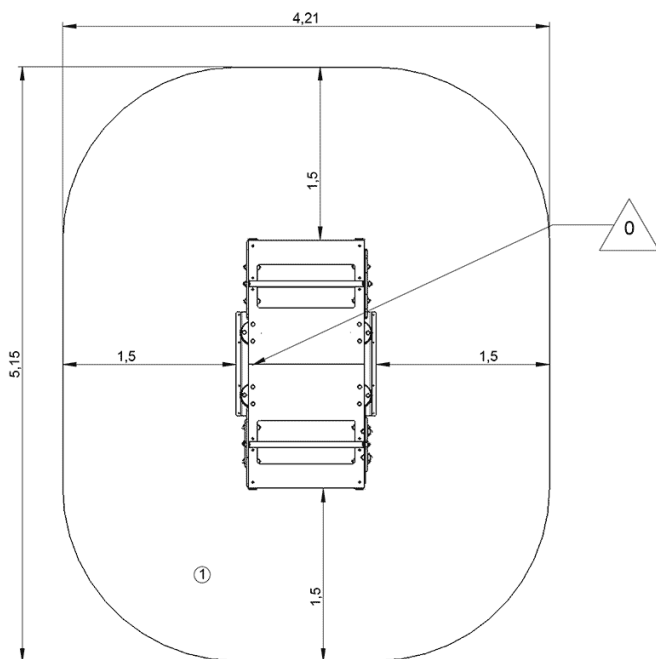
x1



Installation of equipment

IMPORTANT: It is essential to refer to the installation instructions for information on the size of the safety areas.

———— Impact area (minimum normative surface)

- - - - - Free space



		
1	0,6m	20m ²



2

04h00

0m³

20m²

191kg

39kg

EN

1176