



6+



13



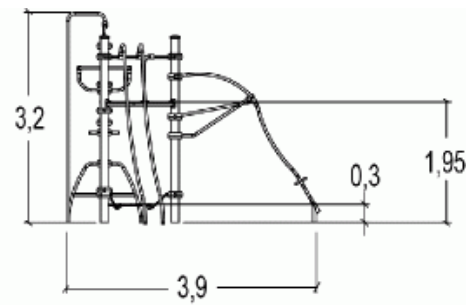
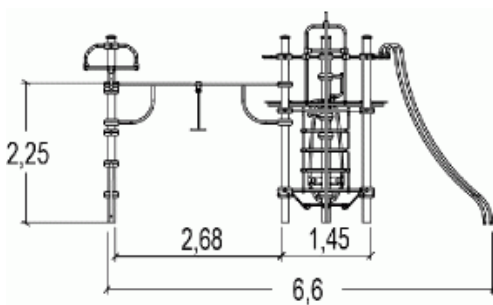
2,5m



1 = 6,6m  
2 = 4,1m  
3 = 3,2m



Physical inclusion  
Sensory inclusion  
Cognitive inclusion



Play value : **12**

sliding



x2

meeting



x1

resting



x2

hanging



x1

balancing



x2

rotating



x1

climbing



x2

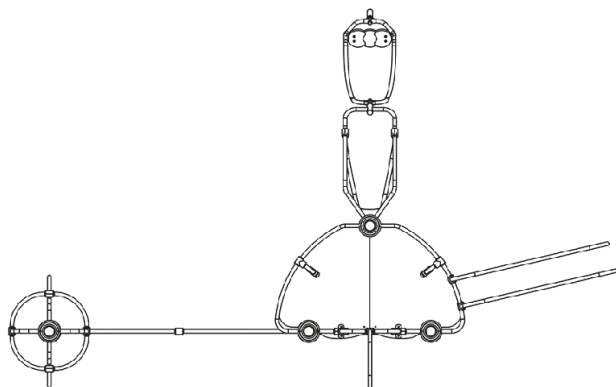
getting across



x1



## Components

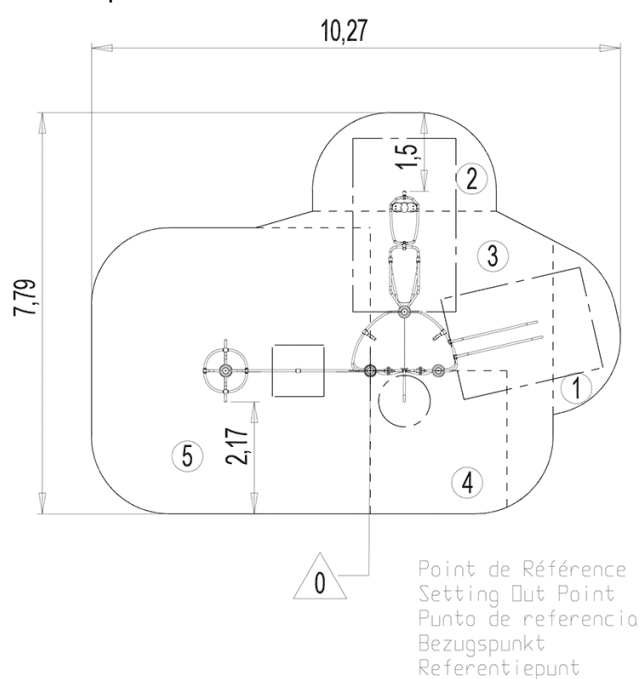
- ① Echelle droite delta
- ② Suspended platform
- ③ Mât de vigie
- ④ Le Gyrospire
- ⑤ Tour Gamma
- ⑥ Gyro
- ⑦ Speed slide



## Installation of equipment

**IMPORTANT:** It is essential to refer to the installation instructions for information on the size of the safety areas.

-  Impact area (minimum normative surface)  
 Free space



1	0,60m	3,5m <sup>2</sup>
2	0,70m	6m <sup>2</sup>
3	1,95m	13,5m <sup>2</sup>
4	2,2m	7,5m <sup>2</sup>
5	2,5m	29,5m <sup>2</sup>



2



16h45



0.5m<sup>3</sup>



60m<sup>2</sup>



262kg



15kg

EN

1176