



6+



13



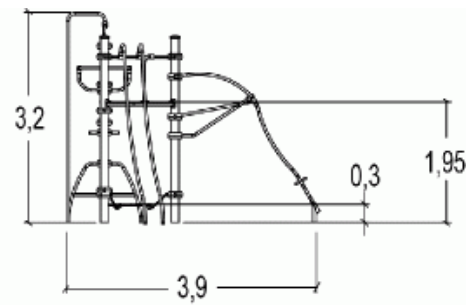
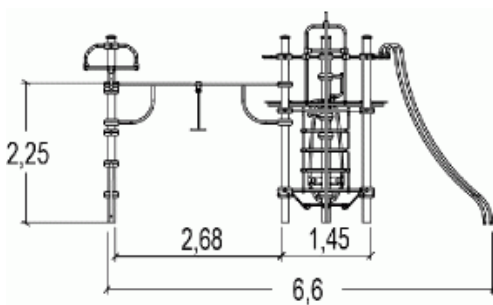
2,5m



1 = 6,6m
2 = 4,1m
3 = 3,2m



Motor inclusion
Sensory inclusion
Mental inclusion



Play value : **12**

sliding



x2

meeting



x1

resting



x2

hanging



x1

balancing



x2

rotating



x1

climbing



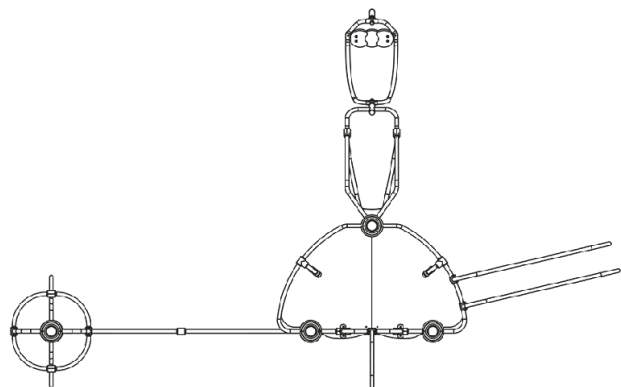
x2

getting across



x1

Components

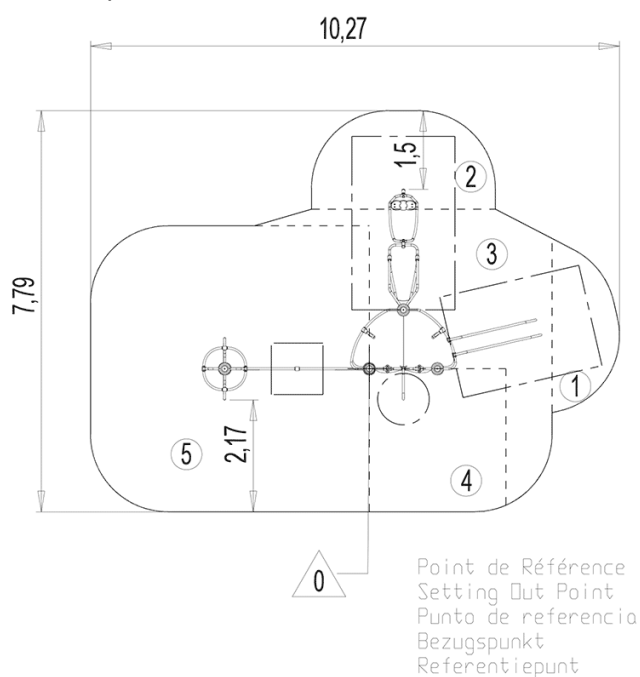




- ❶ Echelle droite delta
- ❷ Suspended platform
- ❸ Mât de vigie
- ❹ Le Gyrospire
- ❺ Tour Gamma
- ❻ Gyro
- ❼ Speed slide

Installation of equipment

IMPORTANT: It is essential to refer to the installation instructions for information on the size of the safety areas.

-  Impact area (minimum normative surface)
-  Free space



		
1	0,60m	3,5m ²
2	0,70m	6m ²
3	1,95m	13,5m ²
4	2,2m	7,5m ²
5	2,5m	29,5m ²



2

16h45

0.5m³

60m²

261kg

15kg

EN

1176