



6+



31



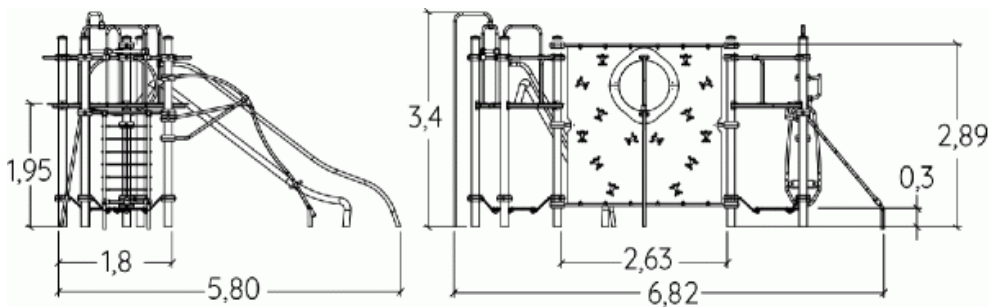
2,9m



1 = 6,82m  
2 = 5,8m  
3 = 3,4m



Physical inclusion  
Sensory inclusion  
Cognitive inclusion



Play value : **14**

climbing



x1

sliding



x3

meeting



x2

resting



x2

balancing



x3

rotating



x1

climbing



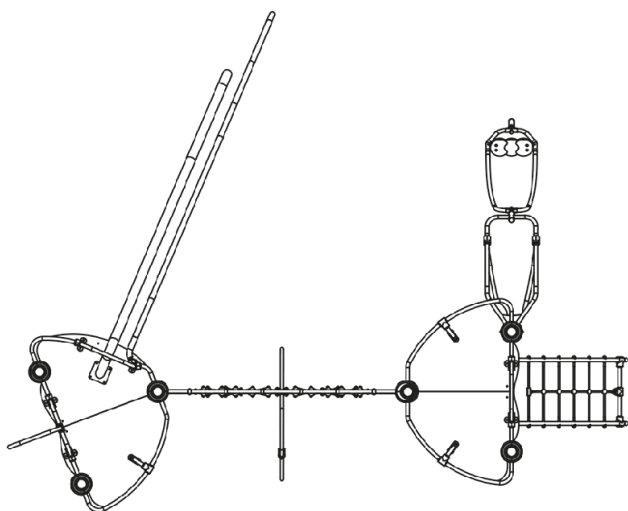
x1

getting across



x1



## Components

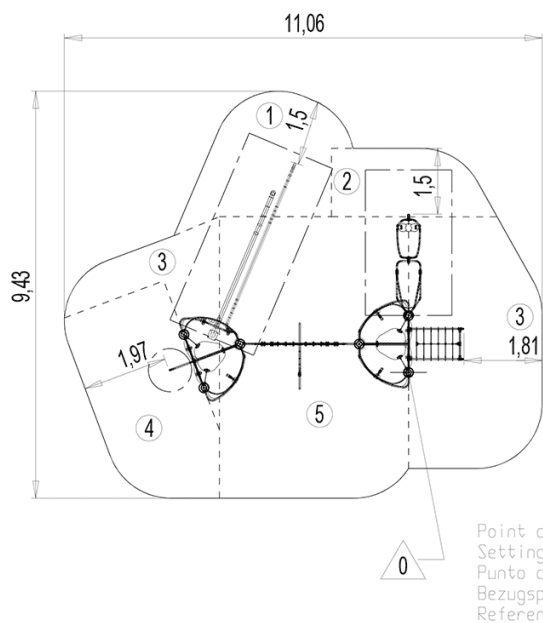


- ① Tour Epsilon
- ② Turbo Slide
- ③ Fireman's pole
- ④ Climbing wall
- ⑤ Tour Gamma
- ⑥ Incline net
- ⑦ Gyro

## Installation of equipment

**IMPORTANT:** It is essential to refer to the installation instructions for information on the size of the safety areas.

-  Impact area (minimum normative surface)
-  Free space



1	0,6m	8,5m <sup>2</sup>
2	0,7m	5,5m <sup>2</sup>
3	1,95m	22,5m <sup>2</sup>
4	2,2m	12m <sup>2</sup>
5	2,9m	28,5m <sup>2</sup>



2



18h00



0.6m<sup>3</sup>



77m<sup>2</sup>



546kg



65kg

EN

1176