



6+



21



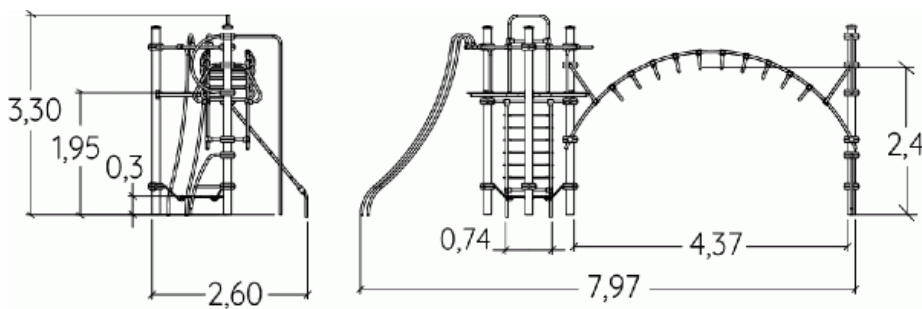
2,4m



1 = 7,97m
2 = 2,6m
3 = 3,3m



Physical inclusion
Sensory inclusion
Cognitive inclusion



Play value :

9

sliding



x2

meeting



x1

resting



x1

hanging



x1

balancing



x1

climbing



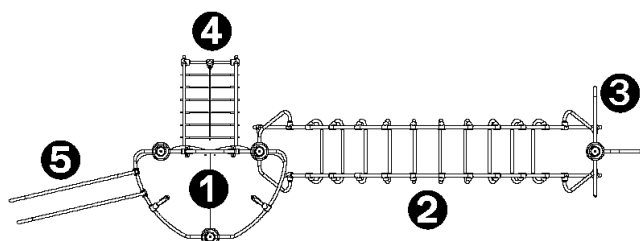
x2

getting across



x1

Components

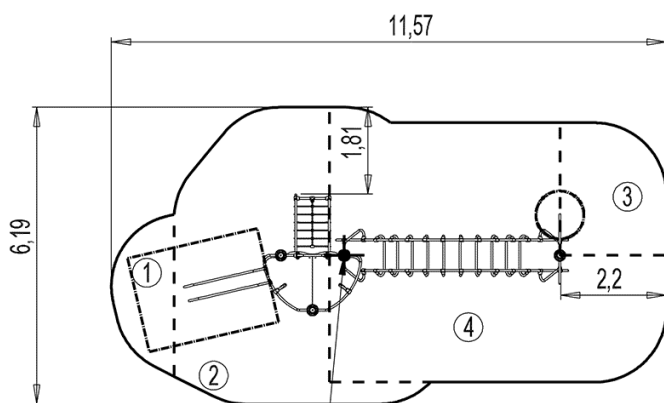


- ① Tour Gamma
- ② Great arch
- ③ Parrot mast
- ④ Incline net
- ⑤ Speed slide

Installation of equipment



IMPORTANT: It is essential to refer to the installation instructions for information on the size of the safety areas.

-  Impact area (minimum normative surface)
-  Free space



Point de Référence
Setting Out Point
Punto de referencia
Bezugspunkt
Referentiepunt



		
1	0,6m	3,5m ²
2	1,95m	19,5m ²
3	2m	6m ²
4	2,4m	32m ²



2

17h00

0.7m³

61m²

264kg

54kg

EN

1176