



6+



17



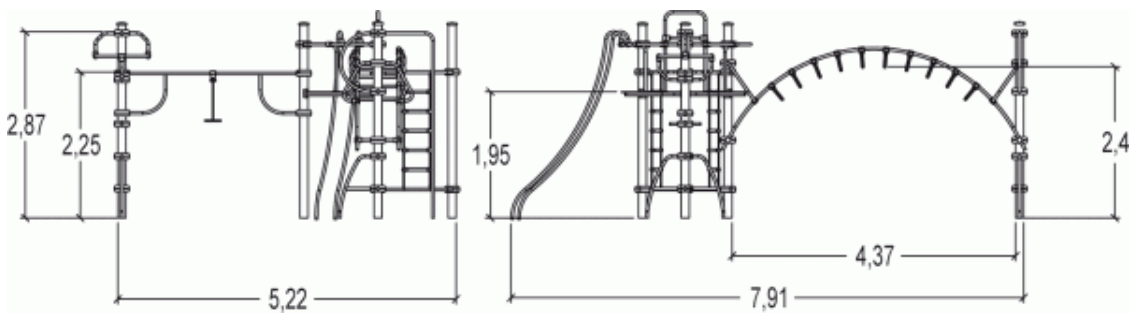
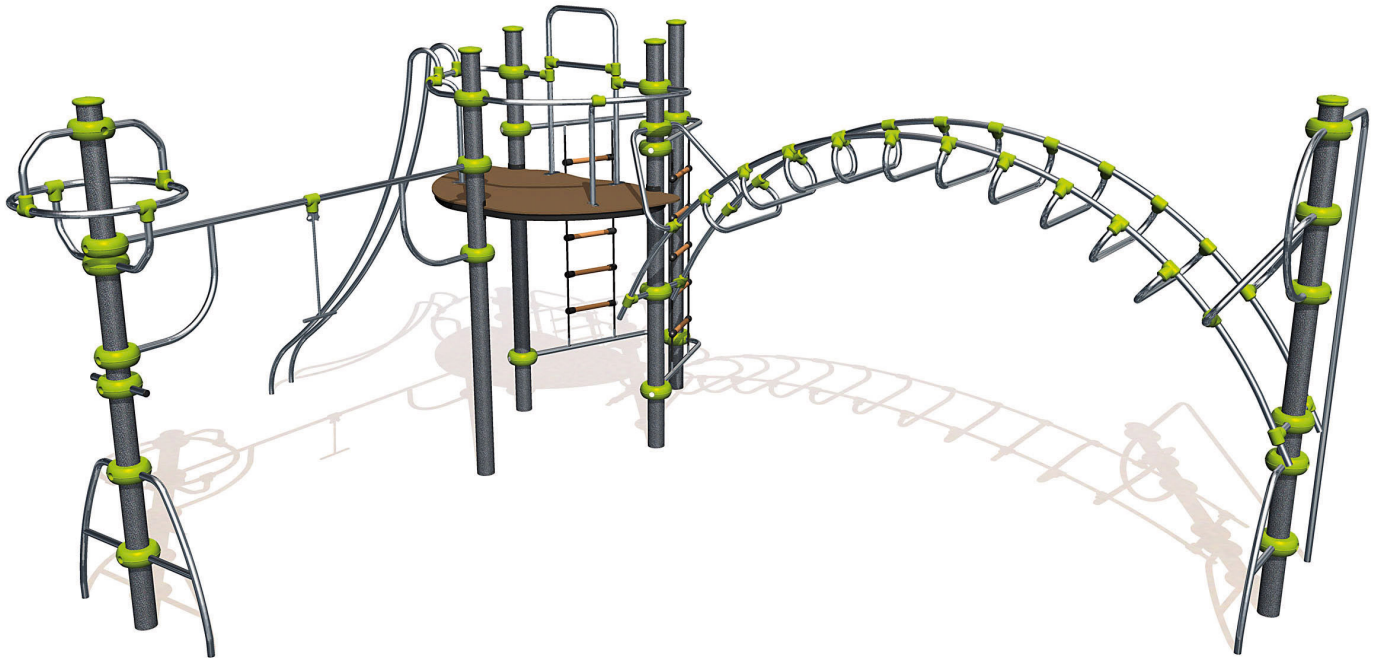
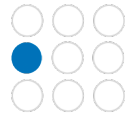
2,5m



1 = 13,82m
2 = 3,28m
3 = 3,2m



Physical inclusion
Sensory inclusion
Cognitive inclusion



Play value : **14**

sliding



x2

meeting



x1

resting



x1

hanging



x2

balancing



x2

climbing



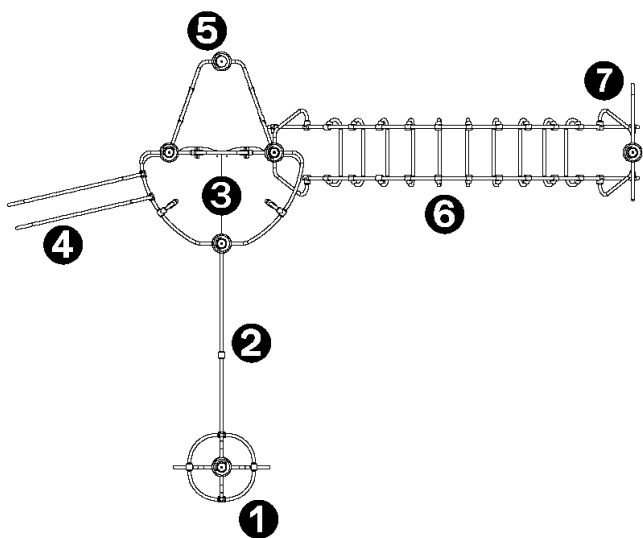
x4

getting across



x2



Components

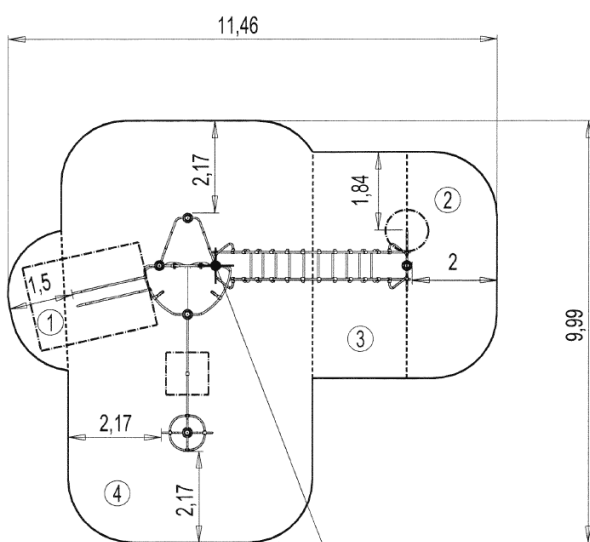


- ① Mât de vigie
- ② Le Gyrospire
- ③ Tour Gamma
- ④ Speed slide
- ⑤ Portique à grimper
- ⑥ Great arch
- ⑦ Parrot mast

Installation of equipment



IMPORTANT: It is essential to refer to the installation instructions for information on the size of the safety areas.

-  Impact area (minimum normative surface)
-  Free space



Point de Référence
Setting Out Point
Punto de referencia
Bezugspunkt



		
1	0,60m	3,5m ²
2	2m	10,5m ²
3	2,4m	12m ²
4	2,5m	56,5m ²



2



19h45



0.8m³



82.5m²



314kg



54kg

