



8+



22



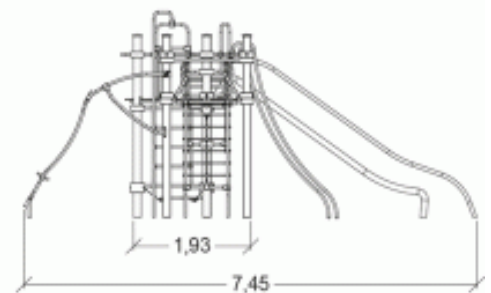
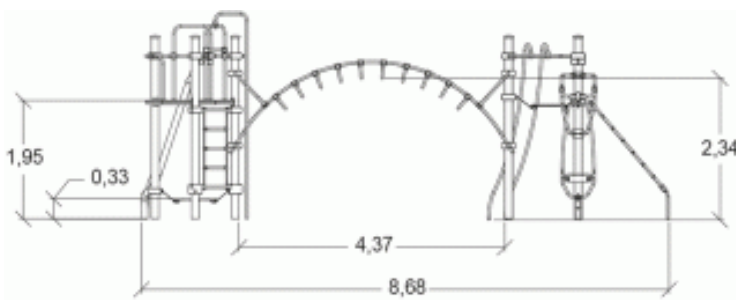
2,4m



1 = 8,69m
2 = 7,45m
3 = 3,4m



Physical inclusion
Sensory inclusion
Cognitive inclusion



Play value : **13**

sliding



x3

meeting



x2

resting



x1

hanging



x1

balancing



x2

rotating



x1

climbing



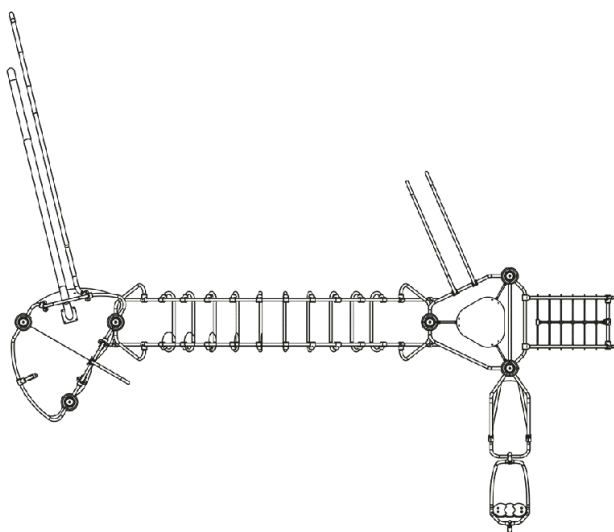
x2

getting across



x1



Components

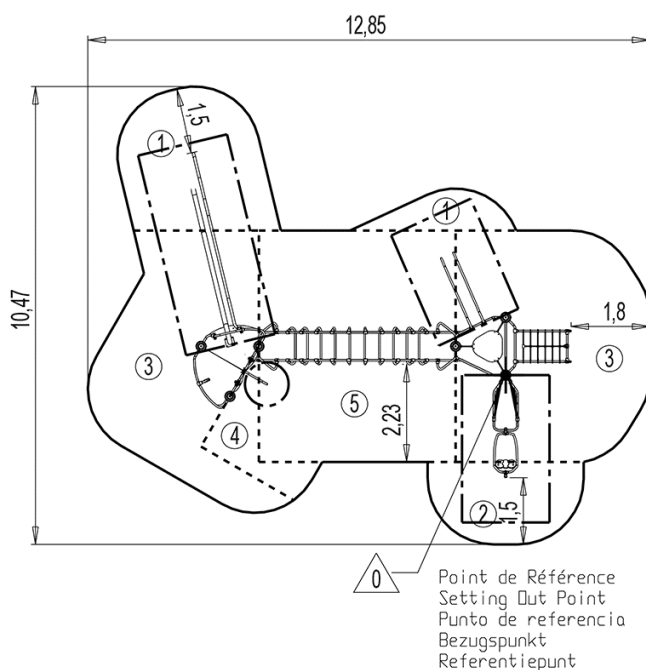


- ❶ Tour Delta
- ❷ Tour Epsilon
- ❸ Great arch
- ❹ Turbo Slide
- ❺ Echelle droite delta
- ❻ Delta Incline net
- ❼ Speed slide
- ❽ Suspended platform
- ❾ Fireman's pole
- ❿ Gyro

Installation of equipment

IMPORTANT: It is essential to refer to the installation instructions for information on the size of the safety areas.

-  Impact area (minimum normative surface)
-  Free space



1	0,6m	12,5m ²
2	0,7m	6m ²
3	1,95m	39,5m ²
4	2,2m	3m ²
5	2,4m	24m ²



2

20h00

0.6m³

85m²

444kg

65kg

EN

1176