



6+



26



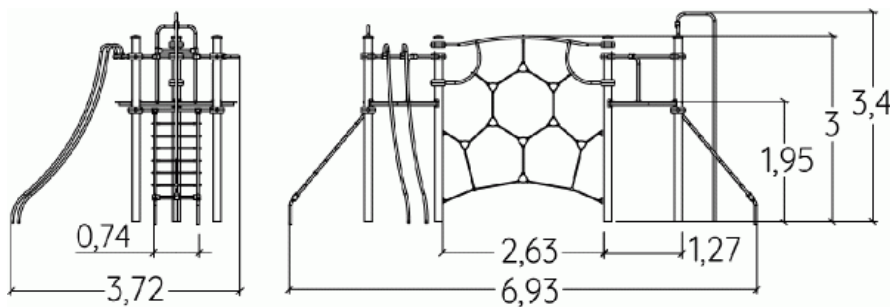
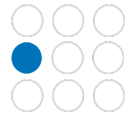
3m



1 = 6,93m
2 = 3,72m
3 = 3,4m



Physical inclusion
Sensory inclusion
Cognitive inclusion



Play value : **8**

sliding



x2

meeting



x2

climbing



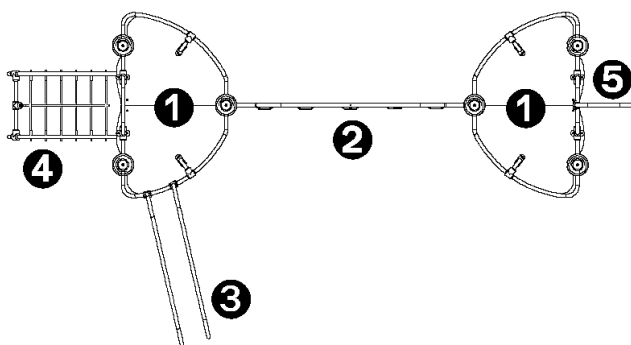
x3

getting across



x1

Components

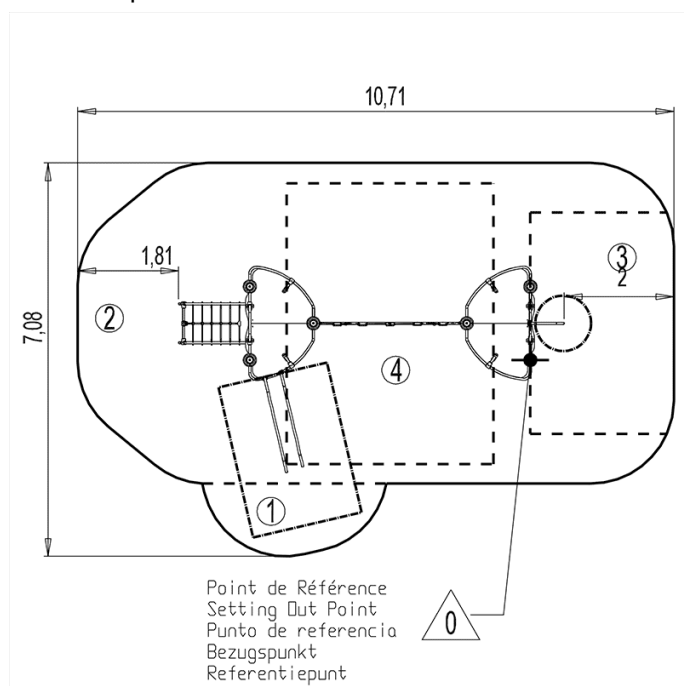


- ① Tour Gamma
- ② Net IXO
- ③ Speed slide
- ④ Incline net
- ⑤ Fireman's pole
- ⑥ Echelle droite delta

Installation of equipment

IMPORTANT: It is essential to refer to the installation instructions for information on the size of the safety areas.

-  Impact area (minimum normative surface)
-  Free space



	Length	Area
1	0,6m	3,5m ²
2	1,95m	29,5m ²
3	2,2m	10,5m ²
4	3m	19m ²



2

20h00

0.8m³

62.5m²

304kg

15kg

EN

1176