



6+



18



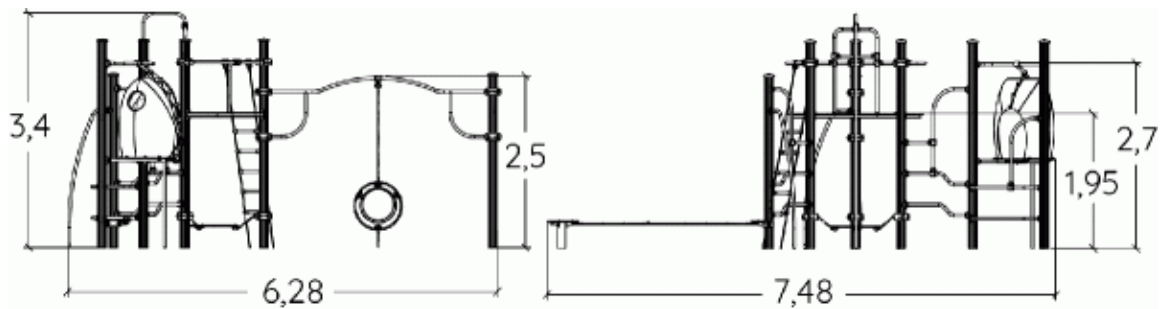
2,2m



1 = 7,47m
2 = 6,28m
3 = 3,4m



Physical inclusion
Sensory inclusion
Cognitive inclusion



Play value : **17**

sliding



x1

meeting



x2

resting



x3

hiding



x1

balancing



x4

taking shelter



x1

climbing



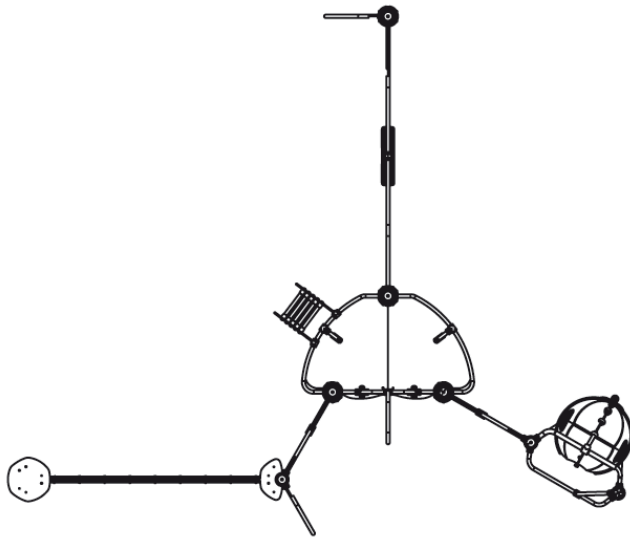
x3

getting across



x2



Components

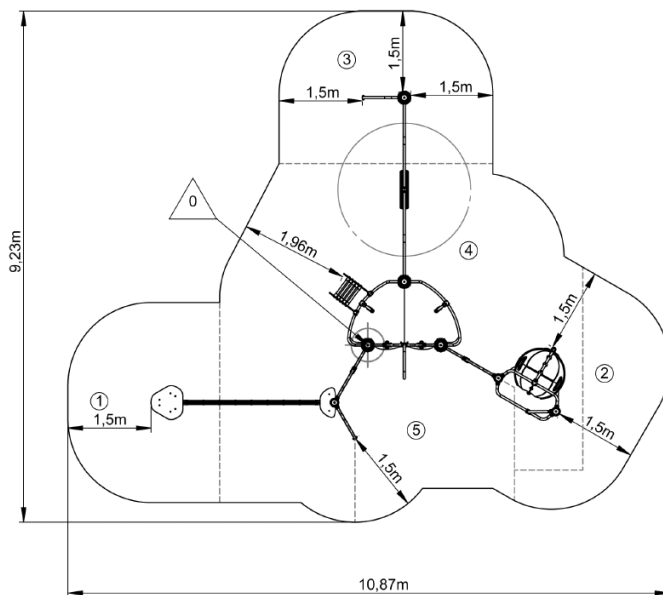


- ① Gamma tower
- ② Rope ladder
- ③ Fireman's pole
- ④ Suspended platform
- ⑤ Balance sling
- ⑥ Cocoon
- ⑦ Suspended buoy

Installation of equipment

IMPORTANT: It is essential to refer to the installation instructions for information on the size of the safety areas.

-  Impact area (minimum normative surface)
-  Free space



1	0,4m	9m ²
2	1,3m	5,5m ²
3	1,5m	10m ²
4	1,95m	29m ²
5	2,2m	8m ²



2

08h00

1.1m³

61.5m²

355kg

65kg

EN

1176