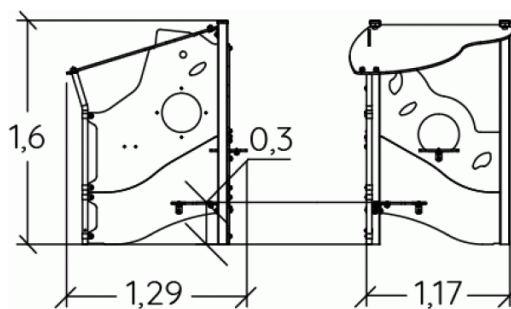


1+ 5 0,6m

1 = 1,29m
2 = 1,17m
3 = 1,6m



Physical inclusion
Sensory inclusion
Cognitive inclusion



Play value :

4

role play

meeting

resting

taking shelter



x1



x1

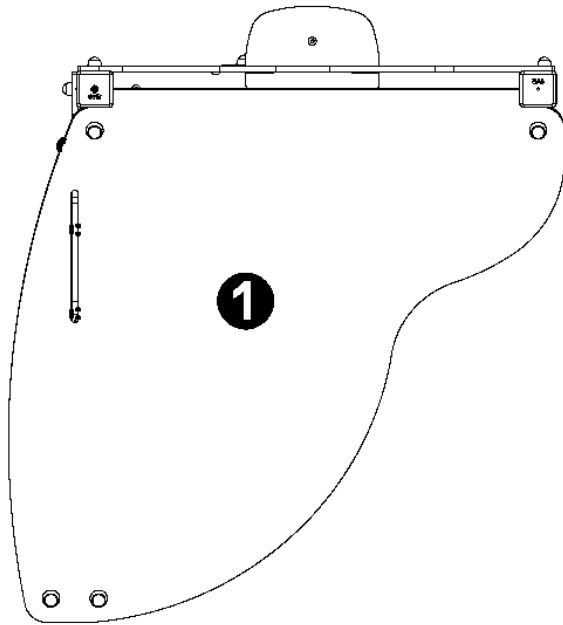


x1



x1



Components

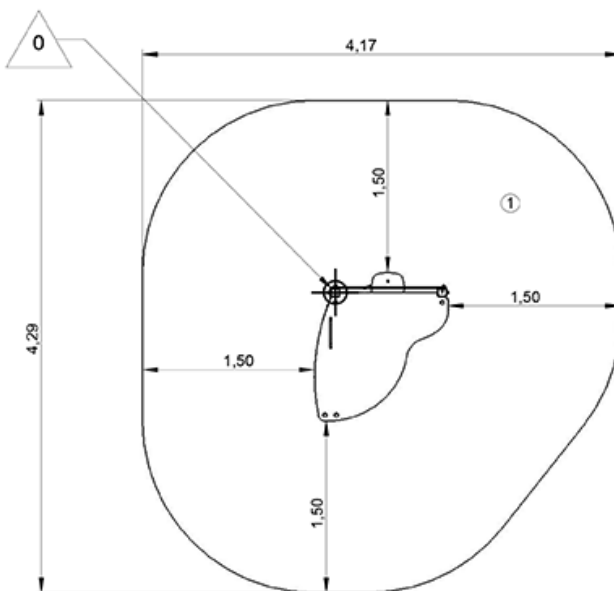


1 Corner Kanopé

Installation of equipment

IMPORTANT: It is essential to refer to the installation instructions for information on the size of the safety areas.

-  Impact area (minimum normative surface)
-  Free space



1	0,6m	15m ²
---	------	------------------



2

02h00

0.1m³

15m²

85kg

16kg

