



1+



17



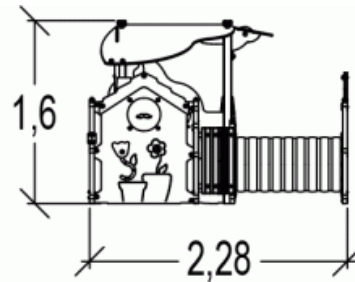
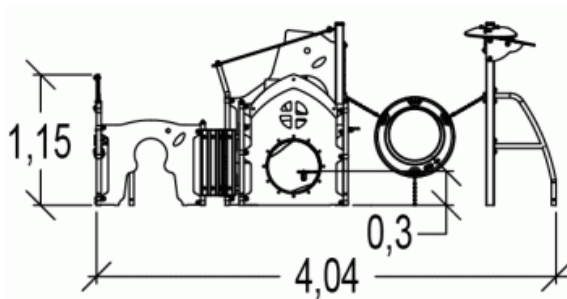
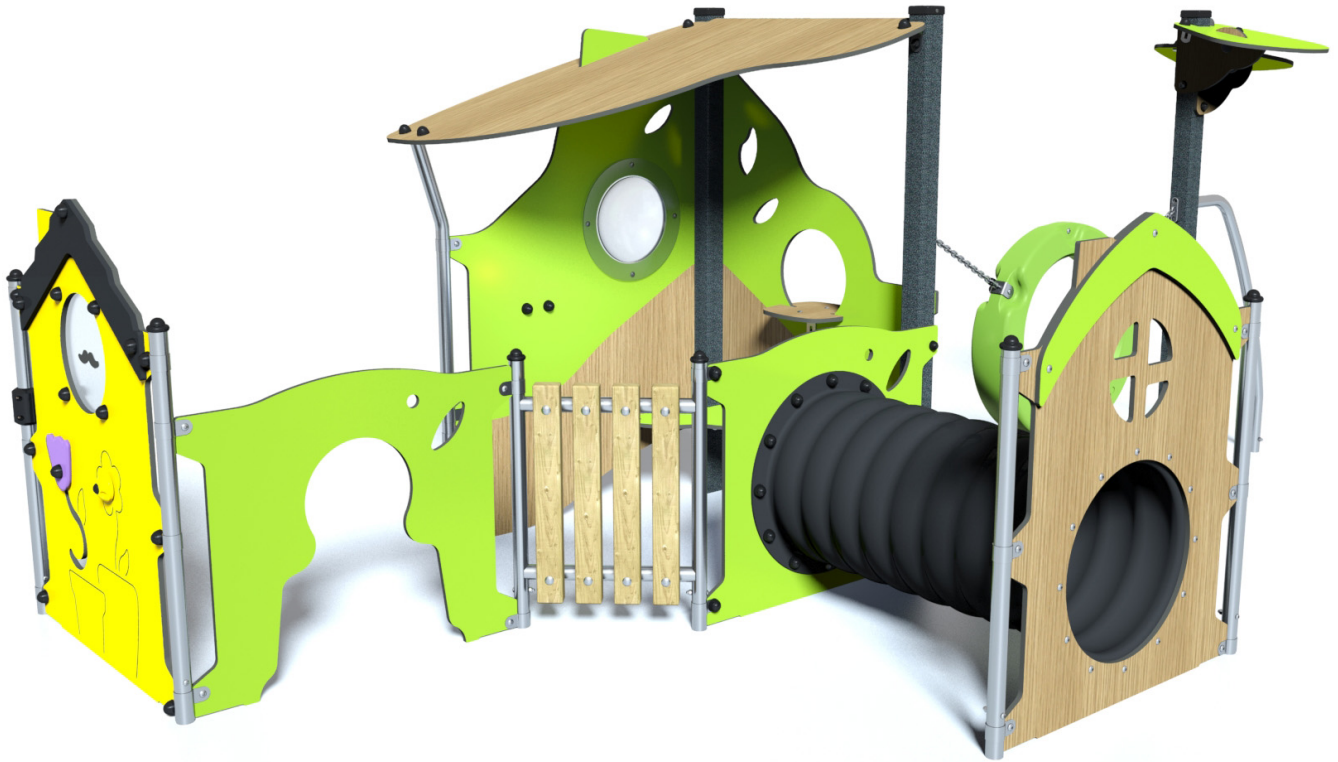
0,6m



1 = 4,04m
2 = 2,28m
3 = 1,6m



Physical inclusion
Sensory inclusion
Cognitive inclusion



Play value : **22**

role play



x2

meeting



x2

resting



x2

handling



x2

crawling



x2

hiding



x1

balancing



x1

taking shelter



x1

thinking



x1

tactile stimulation



x2

visual stimulation



x2

climbing



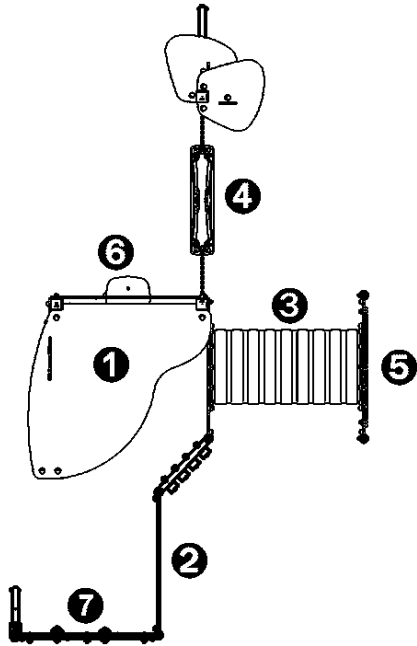
x1

getting across



x3



Components

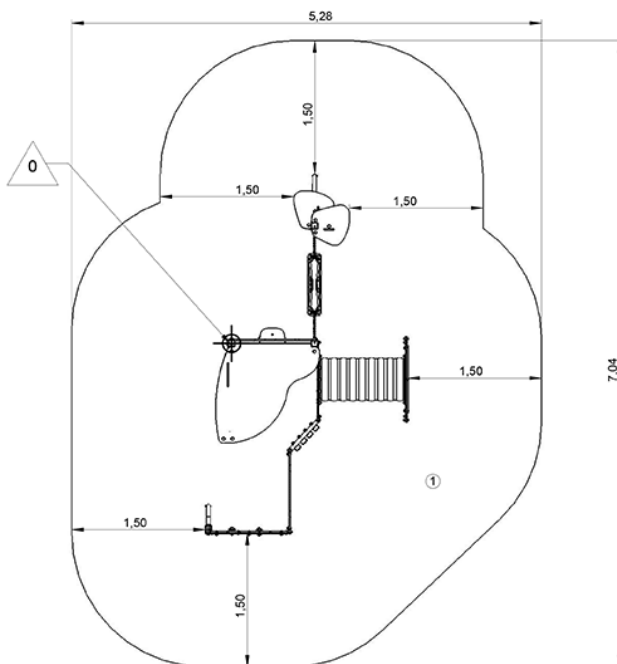




- ❶ Corner Kanopé
- ❷ Panneau Silhouette
- ❸ Tunnel Maisonnette
- ❹ Bouée
- ❺ Panneau Haut Maisonnette
- ❻ Labyrinthe Kanopé
- ❼ Hublot

Installation of equipment

IMPORTANT: It is essential to refer to the installation instructions for information on the size of the safety areas.

-  Impact area (minimum normative surface)
-  Free space



		
1	0,6m	29,5m ²



2



06h00



0.4m³



29.5m²



211kg



16kg

