


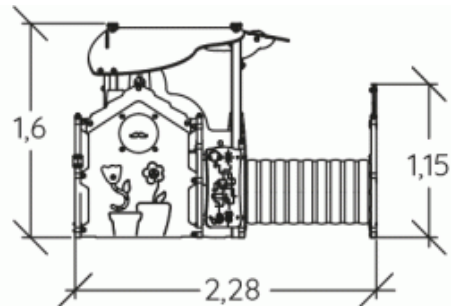
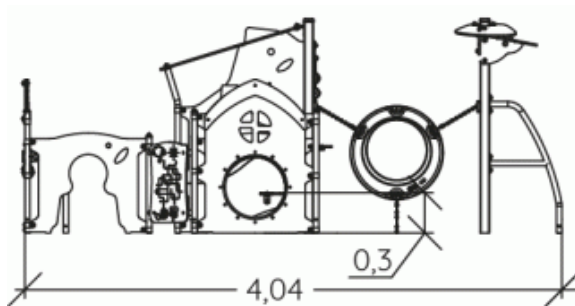
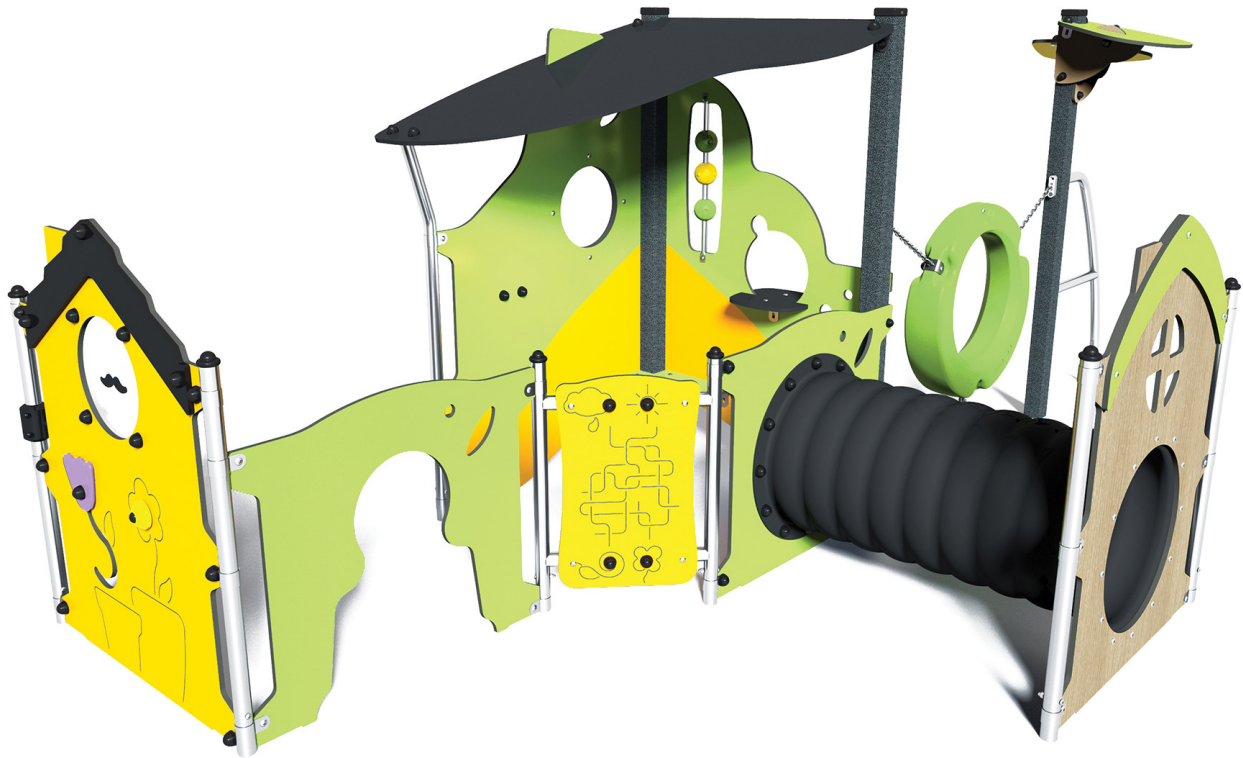




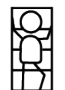

 **1+**
 **18**
 **0,6m**

  
 1 = 4,04m  
 2 = 2,28m  
 3 = 1,6m



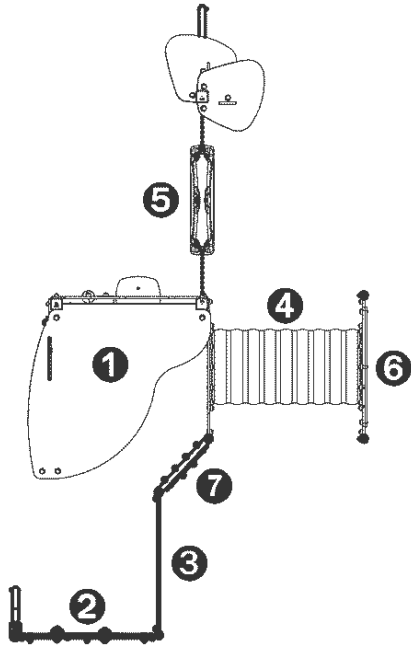
Physical inclusion  
Sensory inclusion  
Cognitive inclusion



**Play value :** **25**

role play  <b>x2</b>	meeting  <b>x2</b>	resting  <b>x2</b>	handling  <b>x3</b>	crawling  <b>x2</b>	hiding  <b>x1</b>	balancing  <b>x1</b>	taking shelter  <b>x1</b>
thinking  <b>x2</b>	tactile stimulation  <b>x4</b>	visual stimulation  <b>x1</b>	climbing  <b>x1</b>	getting across  <b>x3</b>			



## Components

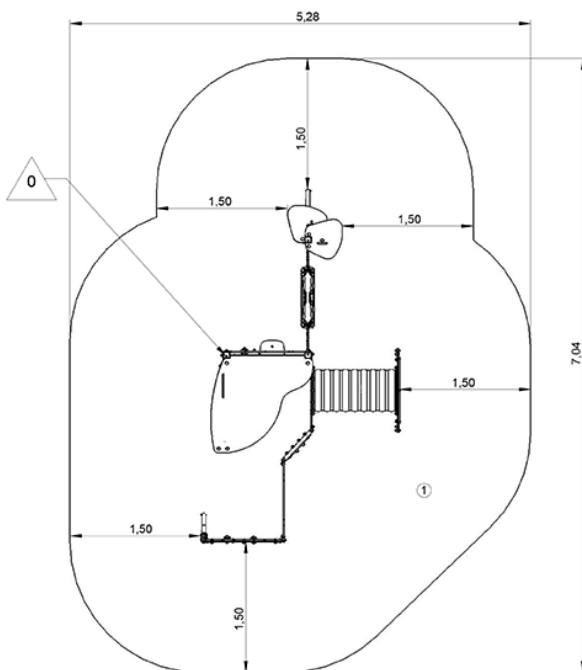




- ❶ Corner Diabolo
- ❷ Panneau Silhouette
- ❸ Panneau Météo
- ❹ Tunnel Maisonnette
- ❺ Bouée
- ❻ Panneau Haut Maisonnette
- ❼ Labyrinthe Kanopé

## Installation of equipment

**IMPORTANT:** It is essential to refer to the installation instructions for information on the size of the safety areas.

-  Impact area (minimum normative surface)
-  Free space



		
1	0,6m	29,5m <sup>2</sup>



2



06h00



0.4m<sup>3</sup>



29.5m<sup>2</sup>



212kg



16kg

