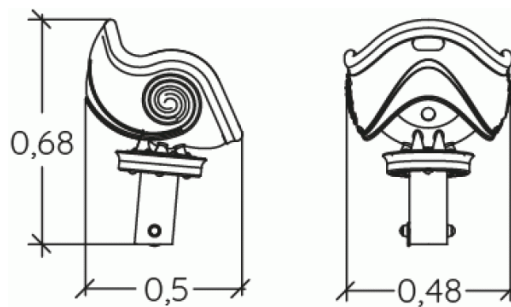


Physical inclusion
Sensory inclusion
Cognitive inclusion



Play value : **4**

meeting



x1

resting



x1

balancing



x1



rotating

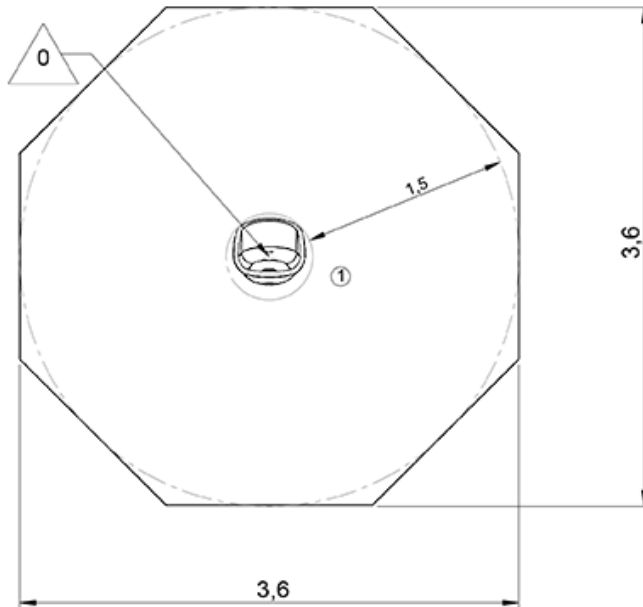




x1

Installation of equipment

IMPORTANT: It is essential to refer to the installation instructions for information on the size of the safety areas.

-  Impact area (minimum normative surface)
-  Free space



| | | |
|---|---|---|
| |  |  |
| 1 | 0,6m | 11m ² |



2



01h45



0.04m³



11m²



21kg



21kg

