



6+



28



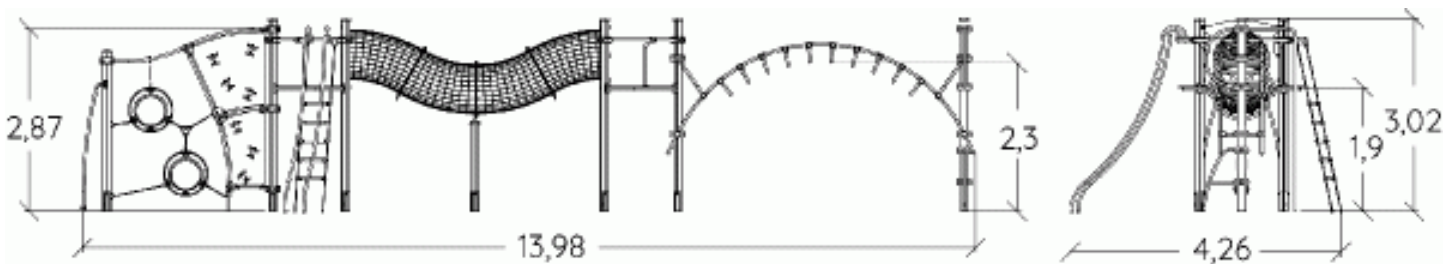
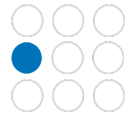
2,87m



1 = 4,26m
2 = 13,96m
3 = 3,02m



Physical inclusion
Sensory inclusion
Cognitive inclusion



Play value : **16**

climbing



x1

sliding



x2

meeting



x2

resting



x2

hanging



x1

crawling



x1

balancing



x1

climbing



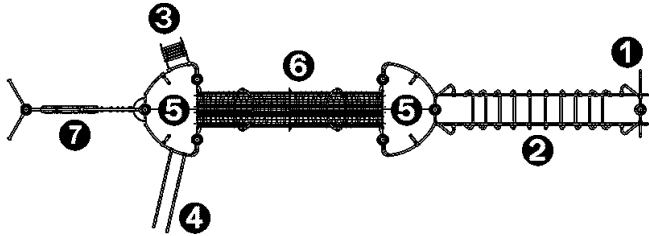
x3

getting across



x3

Components

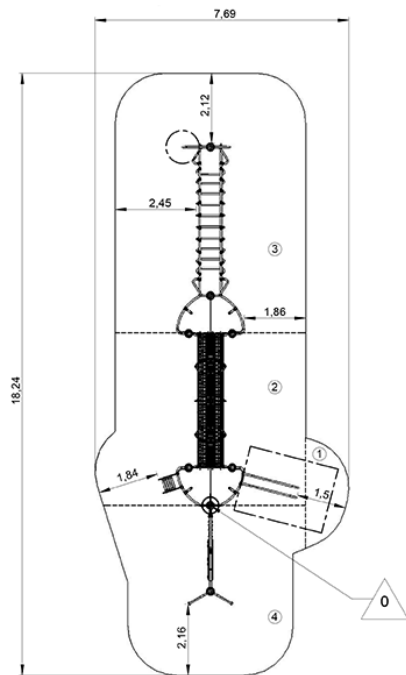


- ❶ Parrot mast
- ❷ Great arch
- ❸ Rope ladder
- ❹ Speed slide
- ❺ Tour gamma sans porte
- ❻ Tunnel filaire
- ❼ Mur d'escalade

Installation of equipment

IMPORTANT: It is essential to refer to the installation instructions for information on the size of the safety areas.

- Impact area (minimum normative surface)
- Free space



1	0,6m	3,5m ²
2	1,95m	31,5m ²
3	2,4m	44,5m ²
4	2,87m	26,5m ²



2



25h00



0.7m³



106m²



564kg



54kg

