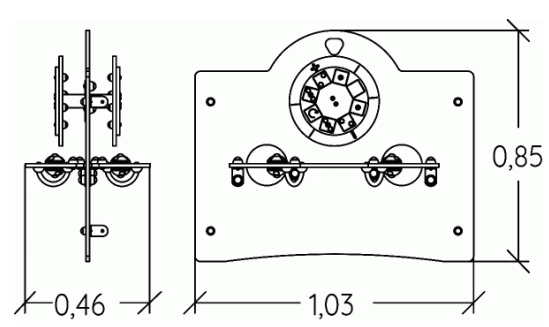


Physical inclusion  
Sensory inclusion  
Cognitive inclusion



Installed on G3424 posts



**Play value :**      **7**

- |           |           |           |           |                     |
|-----------|-----------|-----------|-----------|---------------------|
| role play | meeting   | handling  | thinking  | tactile stimulation |
|           |           |           |           |                     |
| <b>x1</b> | <b>x1</b> | <b>x2</b> | <b>x1</b> | <b>x2</b>           |