



2+



15



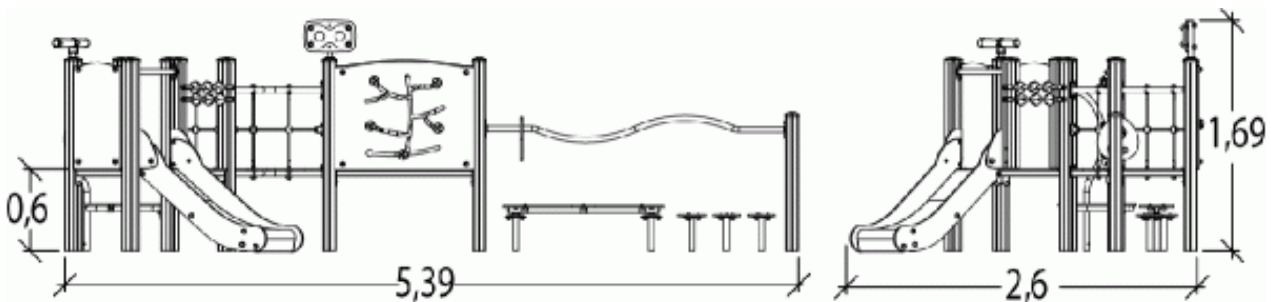
1m



1 = 5,49m  
2 = 2,56m  
3 = 1,69m



Physical inclusion  
Sensory inclusion  
Cognitive inclusion



Play value : **24**

role play



x1

sliding



x1

meeting



x2

handling



x6

balancing



x1

thinking



x2

tactile stimulation



x5

visual stimulation



x3

climbing



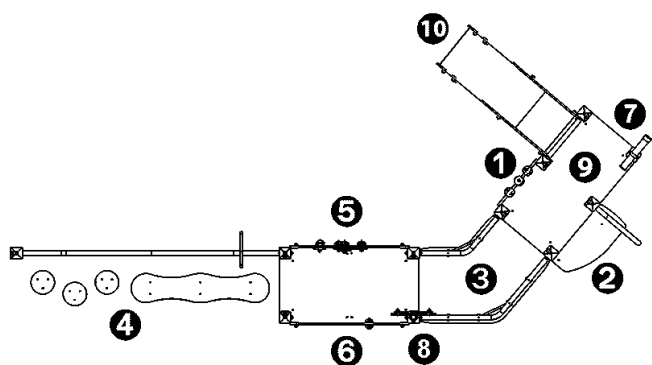
x1

getting across



x2

## Components

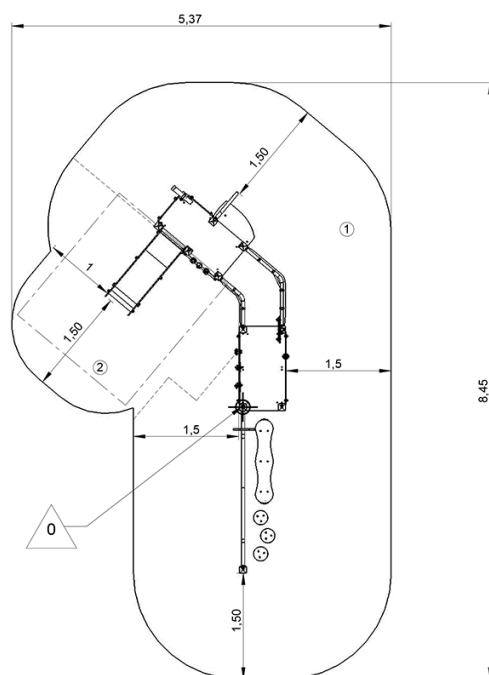


- ① Abacus
- ② 1 Step Access
- ③ Curved bridge
- ④ Play Trail
- ⑤ Flower panel
- ⑥ The Pachinko Play Panel
- ⑦ Telescope
- ⑧ Coloured binoculars
- ⑨ Plateforme HT : 60 cm
- ⑩ Toboggan HT : 60 cm

## Installation of equipment

**IMPORTANT:** It is essential to refer to the installation instructions for information on the size of the safety areas.

-  Impact area (minimum normative surface)
-  Free space



|   |      |                    |
|---|------|--------------------|
| 1 | 0,6m | 26,5m <sup>2</sup> |
| 2 | 1m   | 7,5m <sup>2</sup>  |



2

12h00

0.5m<sup>3</sup>

34.5m<sup>2</sup>

324kg

17kg

EN

1176