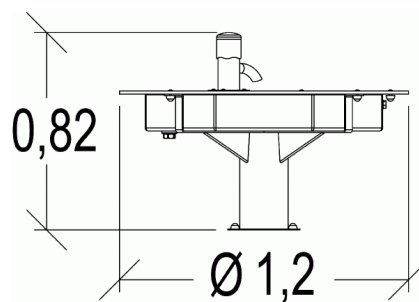
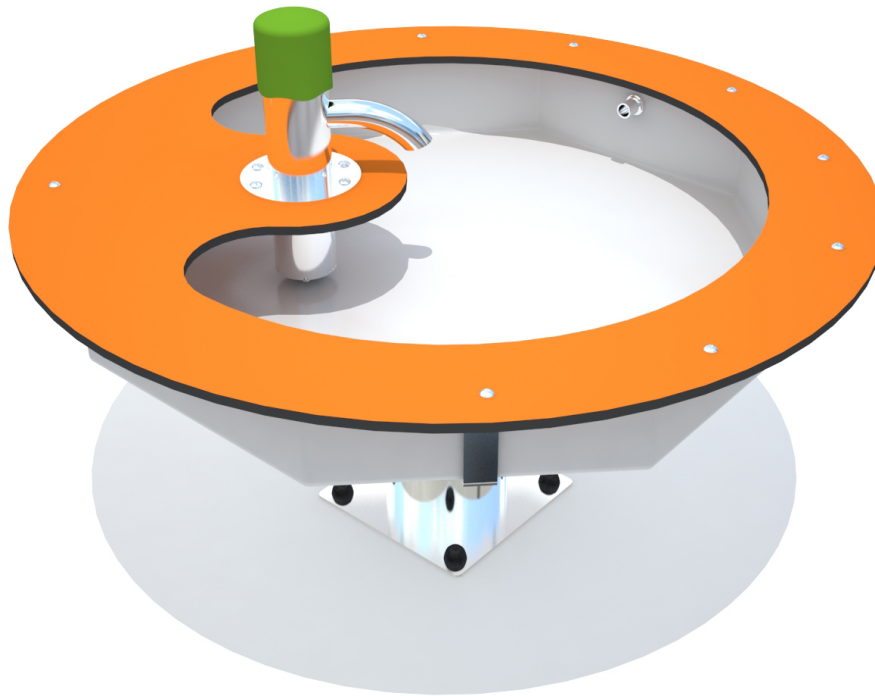


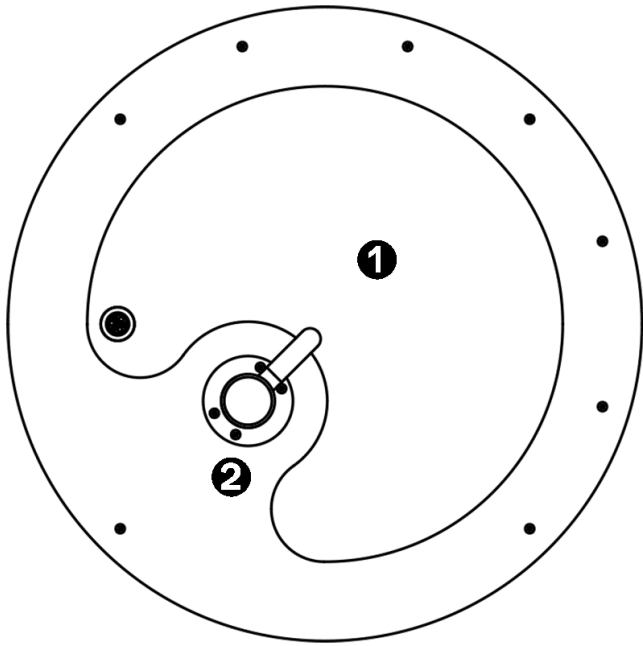
Physical inclusion
Sensory inclusion
Cognitive inclusion



Play value : **5**

role play	meeting	handling	thinking	tactile stimulation
x1	x1	x1	x1	x1



Components

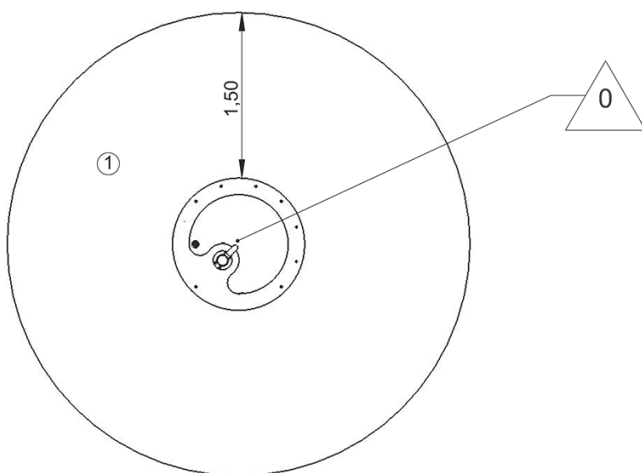




- 1 Splash out
- 2 Pump

Installation of equipment

IMPORTANT: It is essential to refer to the installation instructions for information on the size of the safety areas.

-  Impact area (minimum normative surface)
-  Free space



		
1	0m	14m ²



1



02h30



0m³



14m²



38kg



14kg

