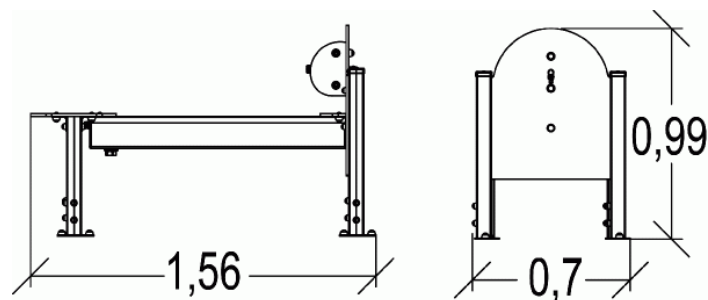


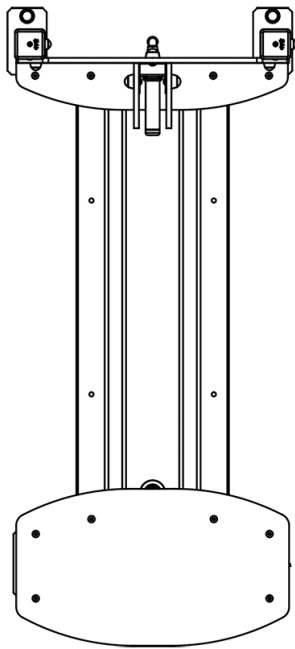
Physical inclusion  
Sensory inclusion  
Cognitive inclusion



**Play value :**      **5**

role play	meeting	handling	thinking	tactile stimulation
x1	x1	x1	x1	x1



## Components

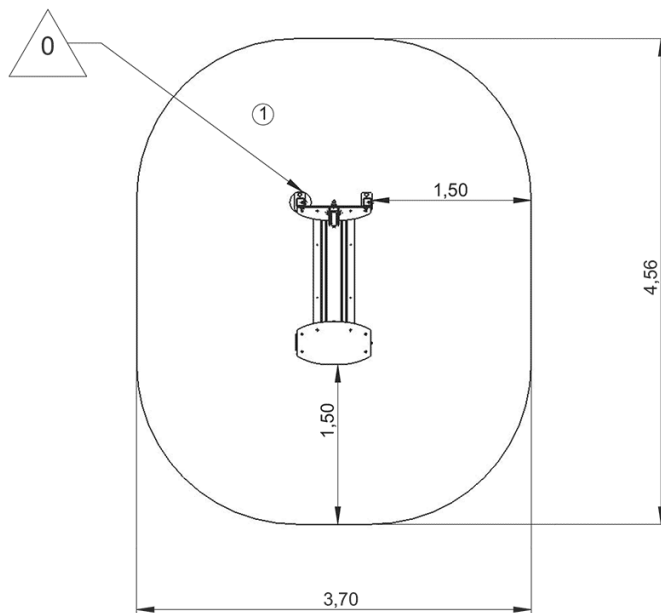


- ① Little river
- ② Tap

## Installation of equipment

**IMPORTANT:** It is essential to refer to the installation instructions for information on the size of the safety areas.

-  Impact area (minimum normative surface)
-  Free space



1	0m	15m <sup>2</sup>
---	----	------------------



1



02h30



0m<sup>3</sup>



15m<sup>2</sup>



45kg



10kg

