


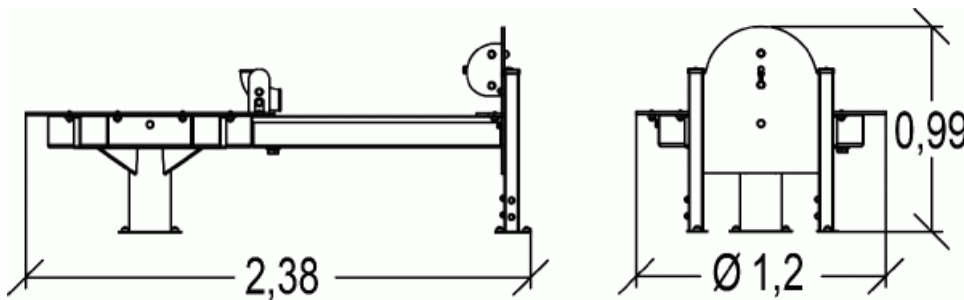
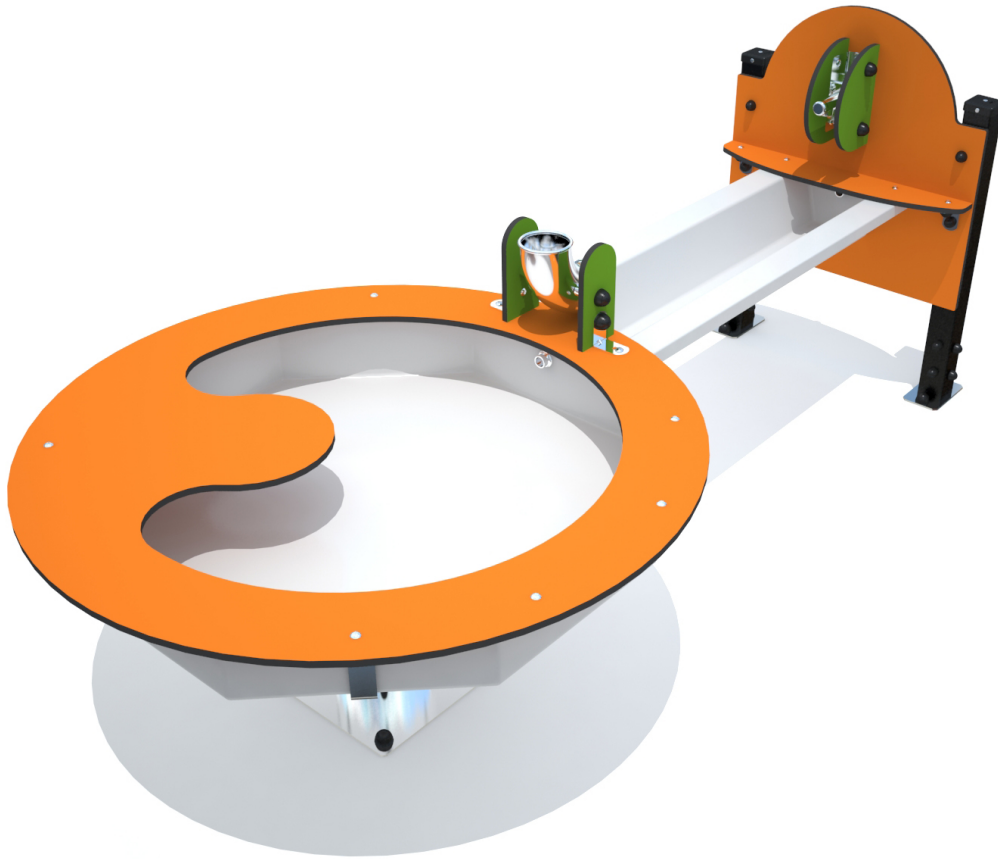
1+ **14** **0m**



 1 = 2,38m
 2 = 1,2m
 3 = 0,99m



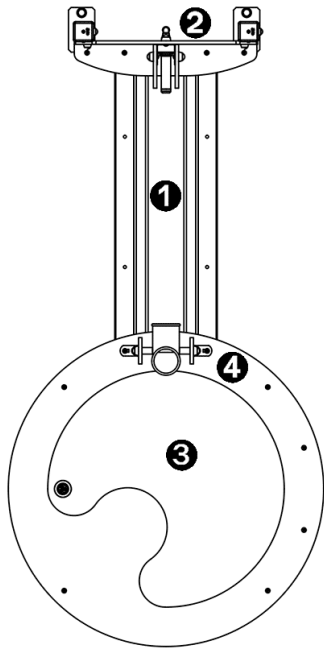
Physical inclusion
 Sensory inclusion
 Cognitive inclusion



Play value : **11**

role play	meeting	handling	thinking	tactile stimulation
				
x1	x3	x3	x2	x2



Components

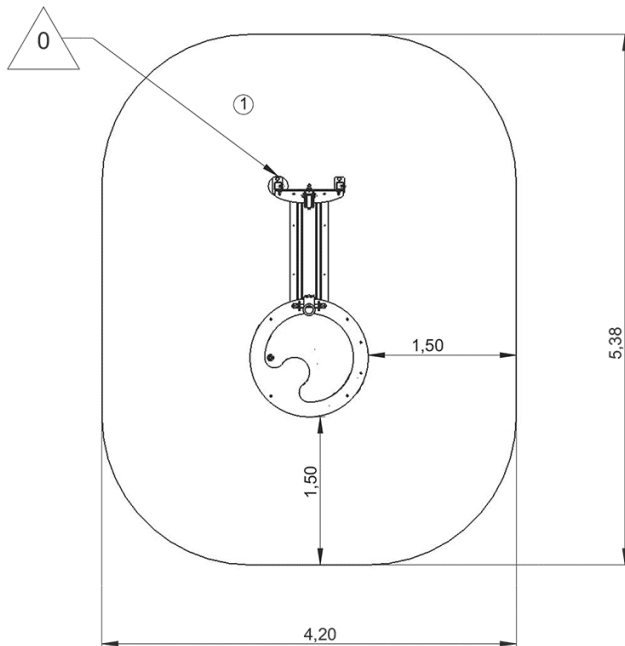




- ① Little river
- ② Tap
- ③ Splash out
- ④ Waterspout

Installation of equipment

IMPORTANT: It is essential to refer to the installation instructions for information on the size of the safety areas.

-  Impact area (minimum normative surface)
-  Free space



		
1	0m	20,5m ²



2



04h00



0m³



20.5m²



65kg



14kg

