



1+



22



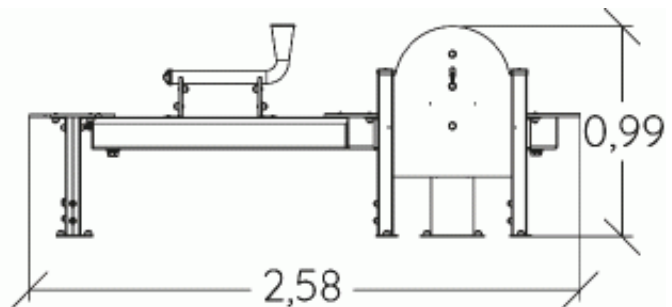
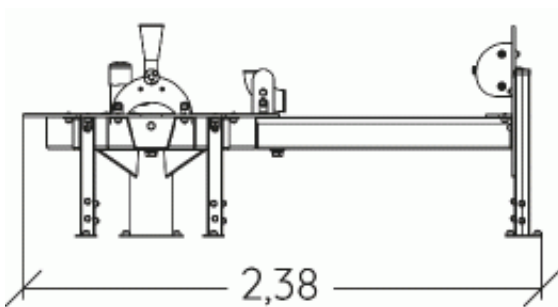
0m



1 = 2,38m
2 = 2,58m
3 = 0,99m



Physical inclusion
Sensory inclusion
Cognitive inclusion



Play value :

21

role play



x3

meeting



x5

handling



x5

thinking



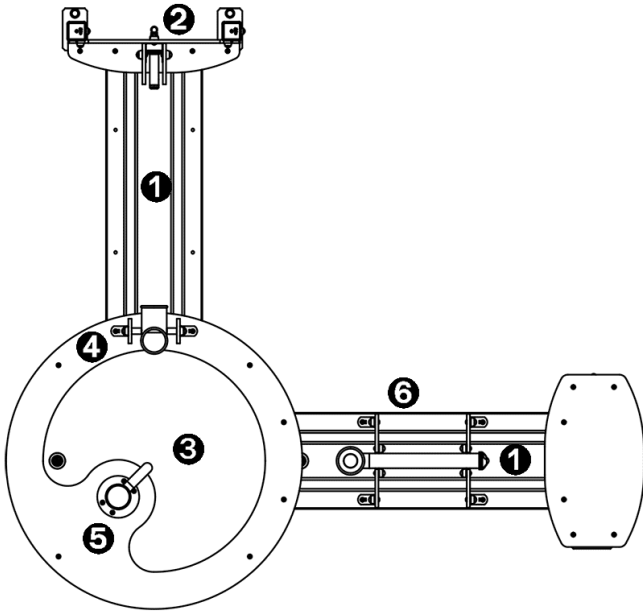
x3

tactile stimulation



x5



Components

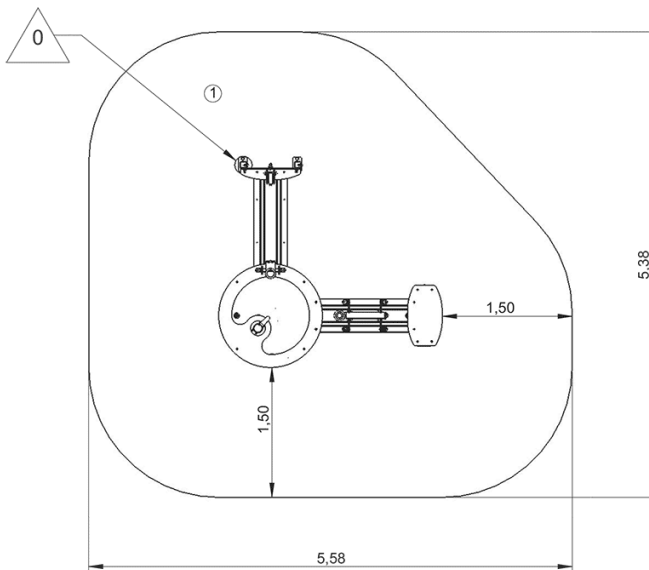




- ① Little river
- ② Tap
- ③ Splash out
- ④ Waterspout
- ⑤ Pump
- ⑥ Water-spray

Installation of equipment

IMPORTANT: It is essential to refer to the installation instructions for information on the size of the safety areas.

-  Impact area (minimum normative surface)
-  Free space



		
1	0m	25,5m ²



2



06h30



0m³



25.5m²



96kg



14kg

