

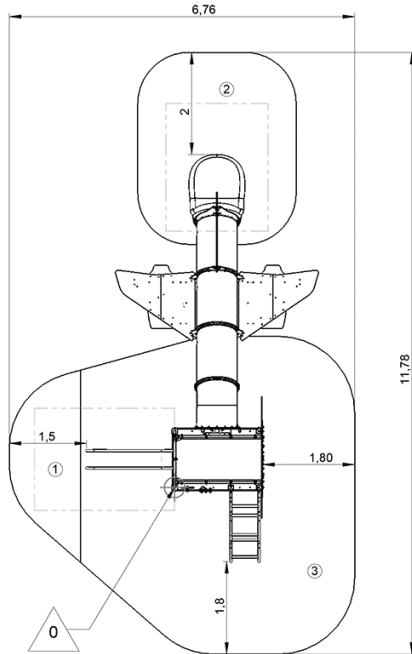




## Installation of equipment

**IMPORTANT:** It is essential to refer to the installation instructions for information on the size of the safety areas.

-  Impact area (minimum normative surface)
-  Free space



1	0,6m	4m <sup>2</sup>
2	1m	11m <sup>2</sup>
3	1,95m	30m <sup>2</sup>



2



10h00



0.39m<sup>3</sup>



45m<sup>2</sup>



673kg



41kg

