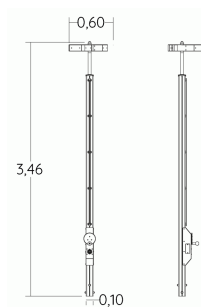


Physical inclusion
Sensory inclusion
Cognitive inclusion



Play value :

5

meeting



x1

handling



x1

thinking



x1

sound stimulation



x1



visual stimulation

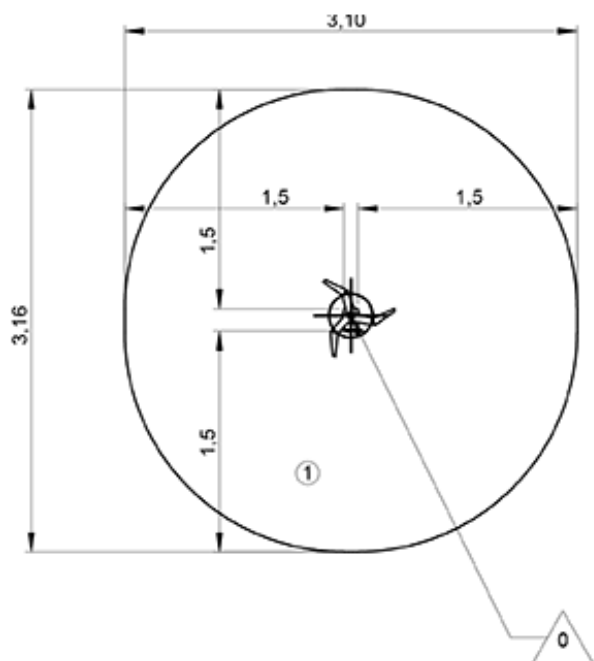




x1

Installation of equipment

IMPORTANT: It is essential to refer to the installation instructions for information on the size of the safety areas.

-  Impact area (minimum normative surface)
-  Free space



		
1	0m	8,5m ²



2



01h00



0.2m³



8.5m²



42kg



30kg

