



0.5+



5



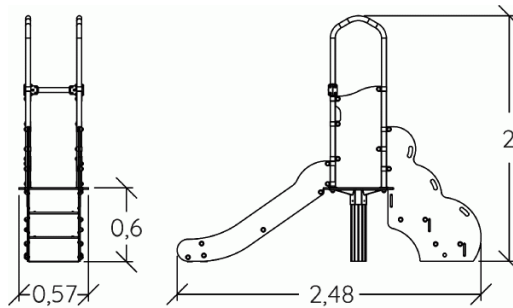
1m



1 = 2,48m
2 = 0,57m
3 = 2m



Physical inclusion
Sensory inclusion
Cognitive inclusion



Play value :

3

sliding



x1

meeting



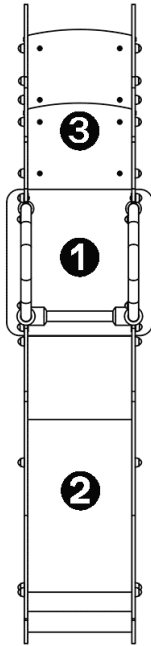
x1

climbing



x1



Components

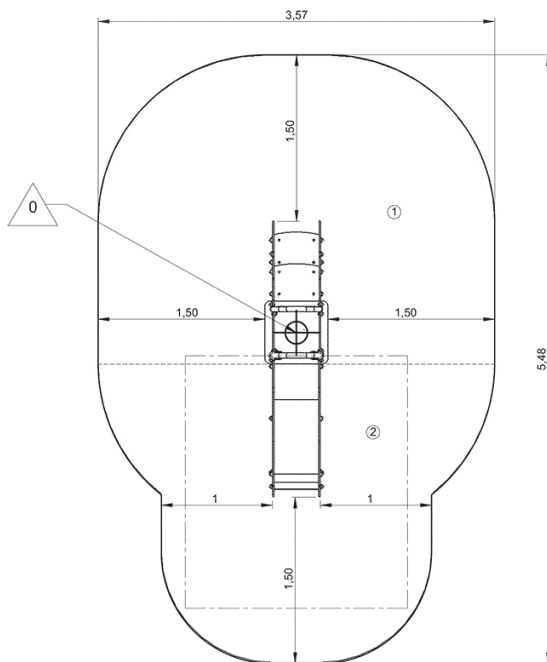


- ① Platform HT: 0.6m
- ② Slide HT: 0.6m
- ③ Baby access steps

Installation of equipment

IMPORTANT: It is essential to refer to the installation instructions for information on the size of the safety areas.

-  Impact area (minimum normative surface)
-  Free space



1	0,6m	9m ²
2	1m	7,5m ²



2



01h30



0.13m³



16.5m²



95kg



10kg

