



0.5+



12



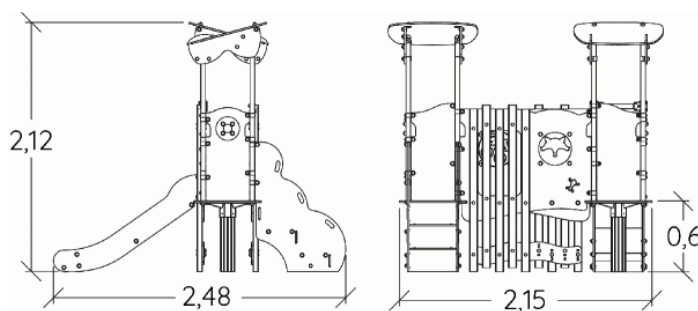
1m



1 = 2,48m  
2 = 2,15m  
3 = 2,12m



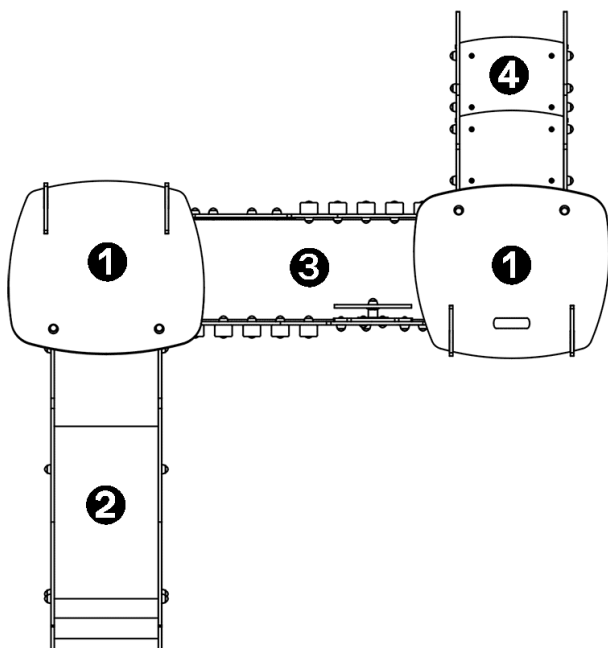
Physical inclusion  
Sensory inclusion  
Cognitive inclusion



**Play value :** **21**

role play  x1	sliding  x1	meeting  x3	handling  x1	crawling  x1	hiding  x1	taking shelter  x2	thinking  x3
tactile stimulation  x4	visual stimulation  x2	climbing  x1	getting across  x1				

## Components

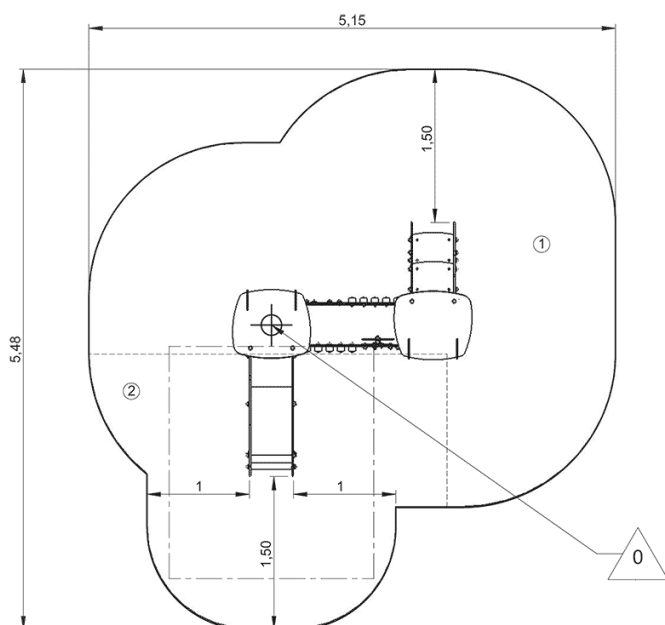


- ① Platform HT: 0.6m
- ② Slide HT: 0.6m
- ③ "Connecting gangway with wooden fencing
- ④ Baby access steps

## Installation of equipment

**IMPORTANT:** It is essential to refer to the installation instructions for information on the size of the safety areas.

-  Impact area (minimum normative surface)
-  Free space



1	0,6m	14m <sup>2</sup>
2	1m	7,5m <sup>2</sup>



2

03h30

0.16m<sup>3</sup>

21.5m<sup>2</sup>

227kg

12kg

EN

1176