



0.5+



13



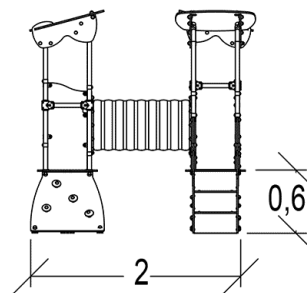
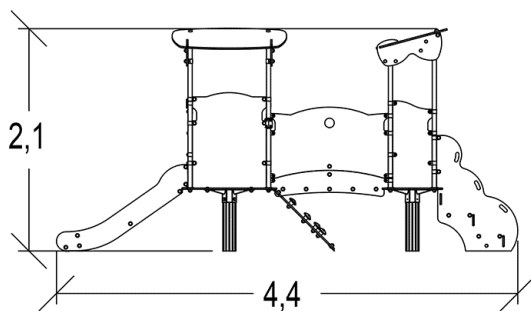
1m



1 = 4,39m
2 = 2,18m
3 = 2,12m



Physical inclusion
Sensory inclusion
Cognitive inclusion



Play value : 13

climbing



x1

sliding



x1

meeting



x3

crawling



x1

hiding



x1

taking shelter



x3

climbing



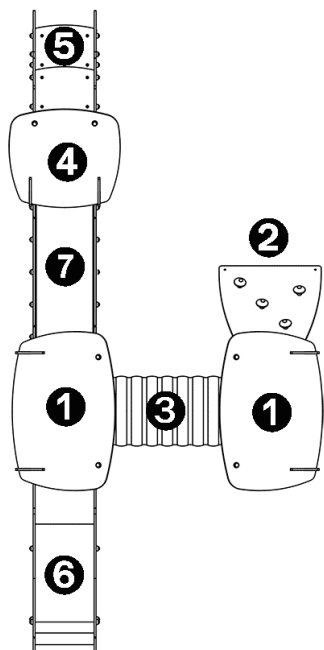
x1

getting across



x2



Components

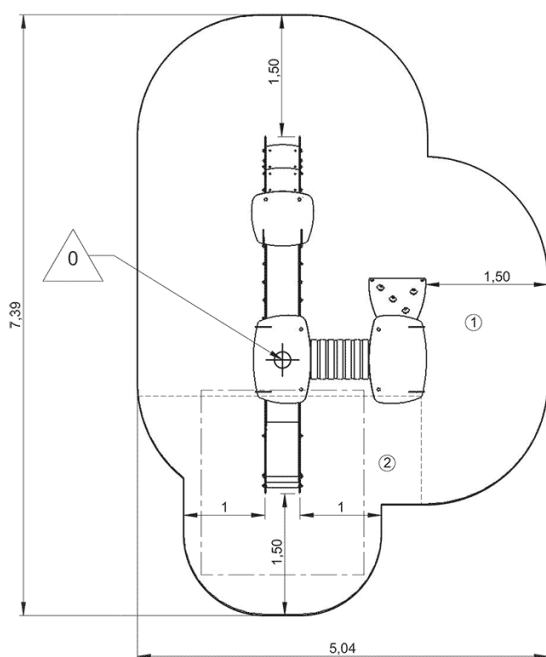




- ① Platform HT: 0.6m
- ② Slope
- ③ Diabolo Baby tunnel
- ④ Platform, H: 0.6cm
- ⑤ Baby access steps
- ⑥ Slide HT: 0.6m
- ⑦ Walkway

Installation of equipment

IMPORTANT: It is essential to refer to the installation instructions for information on the size of the safety areas.

-  Impact area (minimum normative surface)
-  Free space



		
1	0,6m	21,5m ²
2	1m	7,5m ²



2

08h00

0.24m³

29m²

318kg

12kg

EN

1176