



0.5+



20



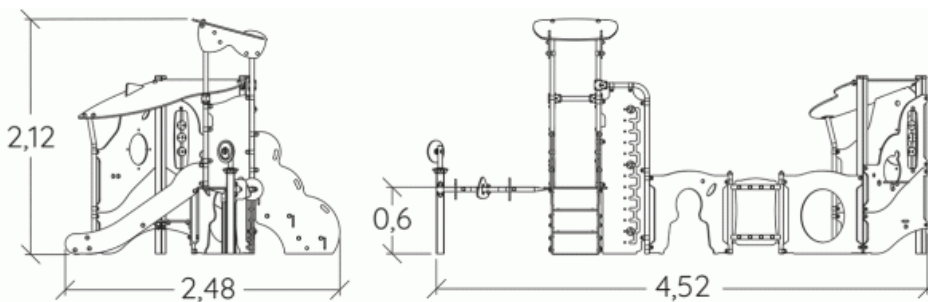
1m



1 = 4,52m  
2 = 2,48m  
3 = 2,12m



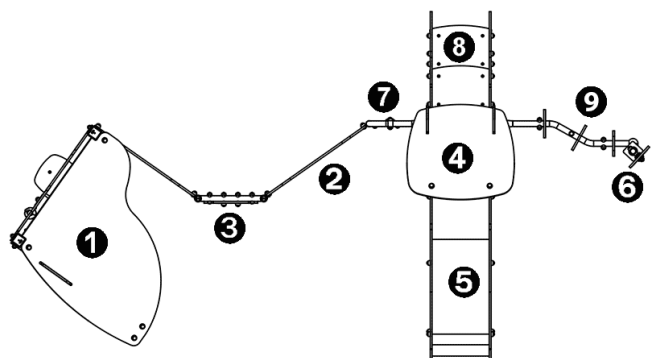
Physical inclusion  
Sensory inclusion  
Cognitive inclusion



Play value : **29**

role play  x2	sliding  x1	meeting  x2	resting  x1	handling  x5	crawling  x2	taking shelter  x2	thinking  x3
tactile stimulation  x6	visual stimulation  x2	climbing  x1	getting across  x2				



## Components

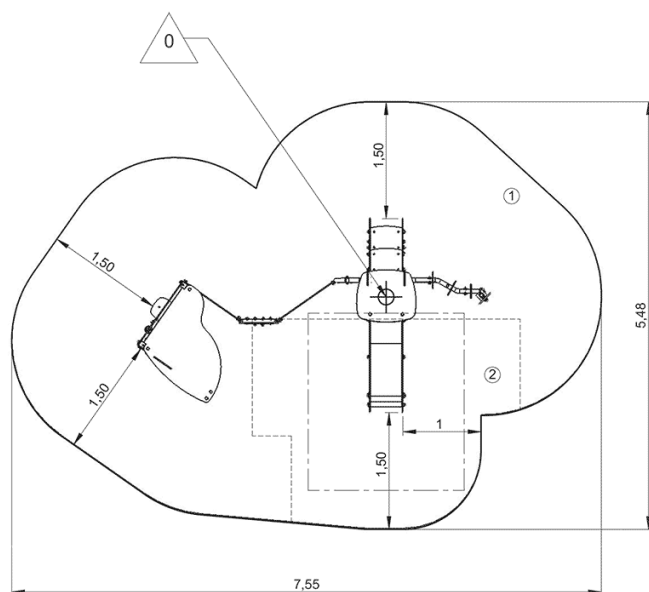


- ❶ Corner Diabolo
- ❷ Panneau Silhouette
- ❸ Panneau Météo
- ❹ Platform HT: 0.6m
- ❺ Slide HT: 0.6m
- ❻ Disque chromatique
- ❼ Diabolo Baby Height Gauge
- ❽ Baby access steps
- ❾ "The colour rail"

## Installation of equipment

**IMPORTANT:** It is essential to refer to the installation instructions for information on the size of the safety areas.

-  Impact area (minimum normative surface)
-  Free space



1	0,6m	23m <sup>2</sup>
2	1m	8m <sup>2</sup>



2



07h00



0.32m<sup>3</sup>



31m<sup>2</sup>



255kg



16kg

EN

1176