



0.5+



12



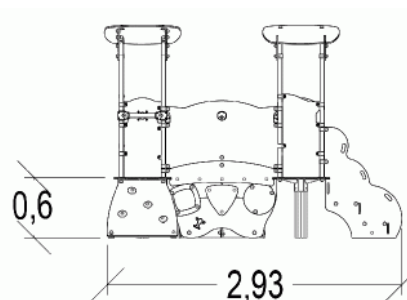
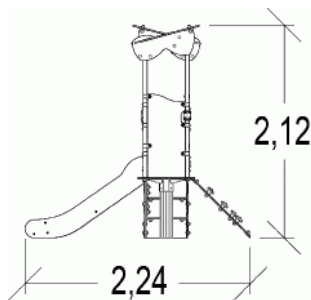
1m



1 = 2,93m
2 = 2,24m
3 = 2,12m



Physical inclusion
Sensory inclusion
Cognitive inclusion



Play value : **18**

climbing



x1

role play



x1

sliding



x2

meeting



x3

handling



x1

crawling



x1

hiding



x1

taking shelter



x2

tactile stimulation



x3

visual stimulation



x1

climbing



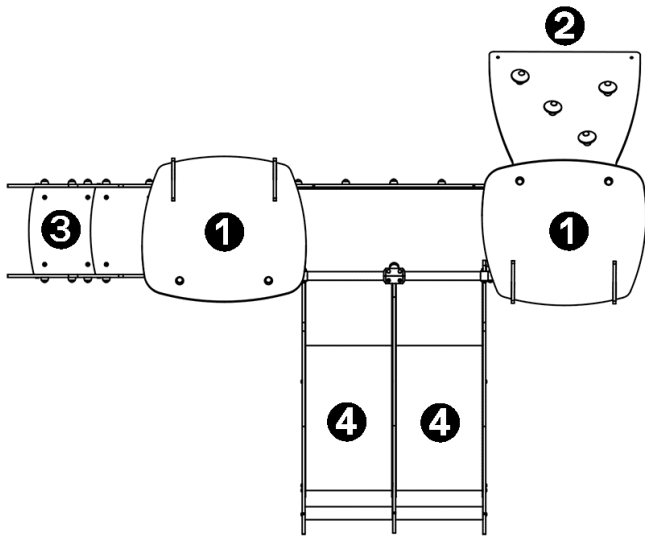
x1

getting across



x1



Components

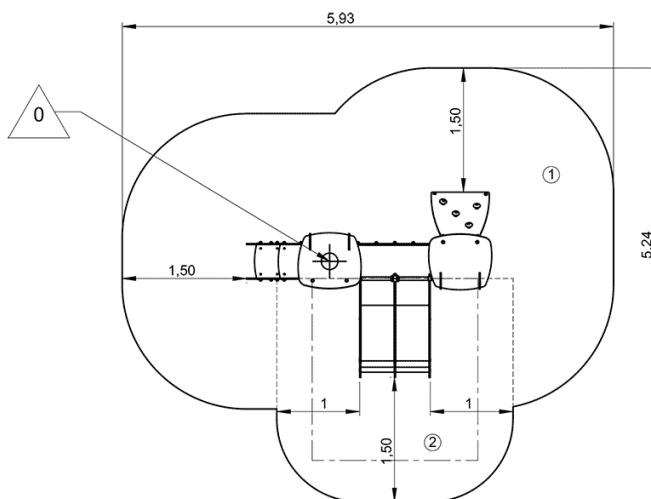


- ① Platform HT: 0.6m
- ② Slope
- ③ Baby access steps
- ④ Double slide

Installation of equipment

IMPORTANT: It is essential to refer to the installation instructions for information on the size of the safety areas.

-  Impact area (minimum normative surface)
-  Free space



1	0,6m	16,5m ²
2	1m	7,5m ²



2



05h00



0.3m³



24m²



246kg



14kg

