


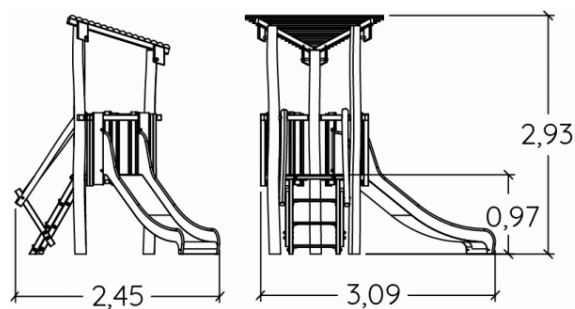
 2+
  8
  1m
 
 1 = 3,09m
 2 = 2,45m
 3 = 2,93m



Physical inclusion
Sensory inclusion
Cognitive inclusion



Play value :

4

sliding



x1

meeting



x1

taking shelter



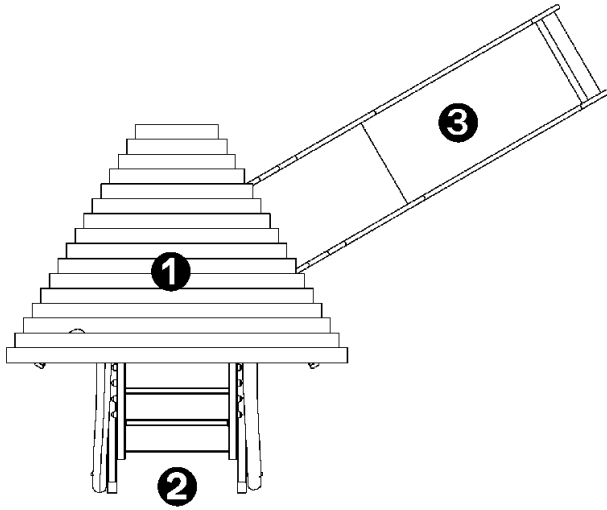
x1

climbing



x1

Components

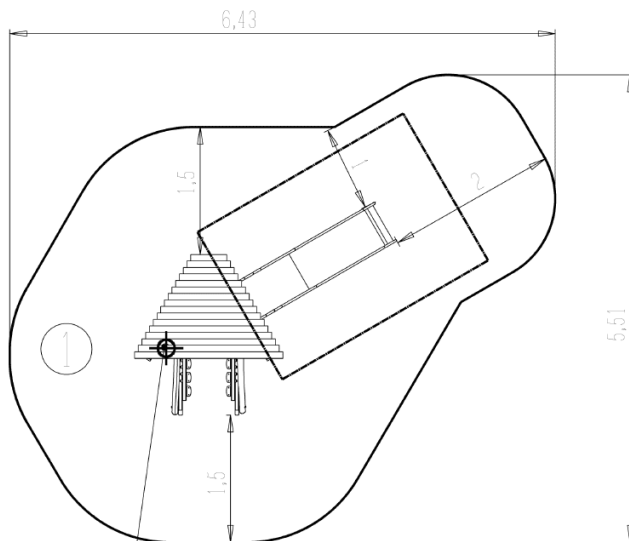


- ① Platform Ht: 0.97m
- ② Stairs
- ③ Slide Ht: 0.97m

Installation of equipment

IMPORTANT: It is essential to refer to the installation instructions for information on the size of the safety areas.

- Impact area (minimum normative surface)
- Free space



Point de Référence
Setting Out Point
Punto de referencia
Bezugspunkt
Referentiepunt

1	1m	24m ²



2



08h00



0m³



24m²



303kg



53kg

