

5 56 073 0

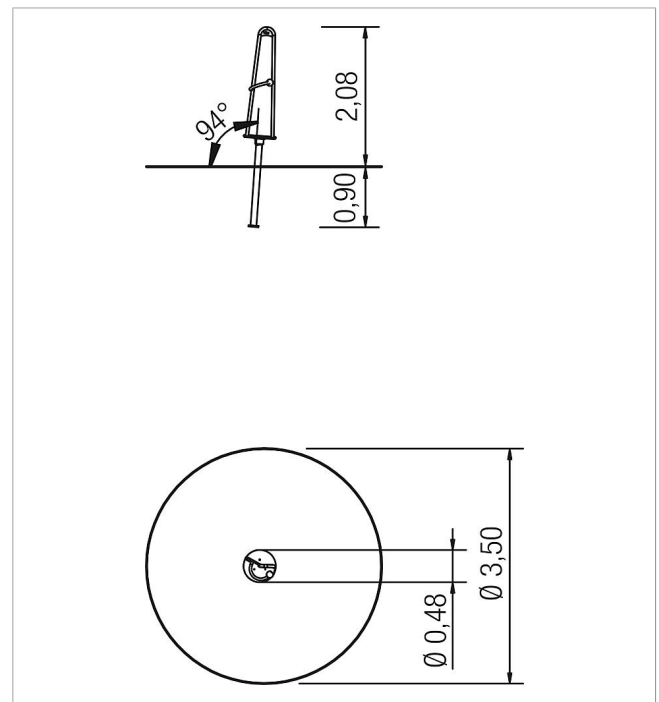
Basis Double whisk

made in germany



Scope of delivery

1x stand-up roundabout: stainless steel



	Material	Stainless steel
	Foundation level	ET 900
	Minimum space	Ø 3,50x2,90 m
	Free falling height	45 cm
	Impact protection net	10,0 m ²
	Foundations	1x CF