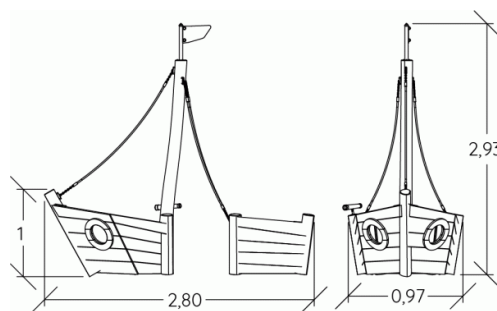


Physical inclusion
Sensory inclusion
Cognitive inclusion



Play value :

5

role play

meeting

resting

hiding

visual stimulation



x1



x1



x1




x1



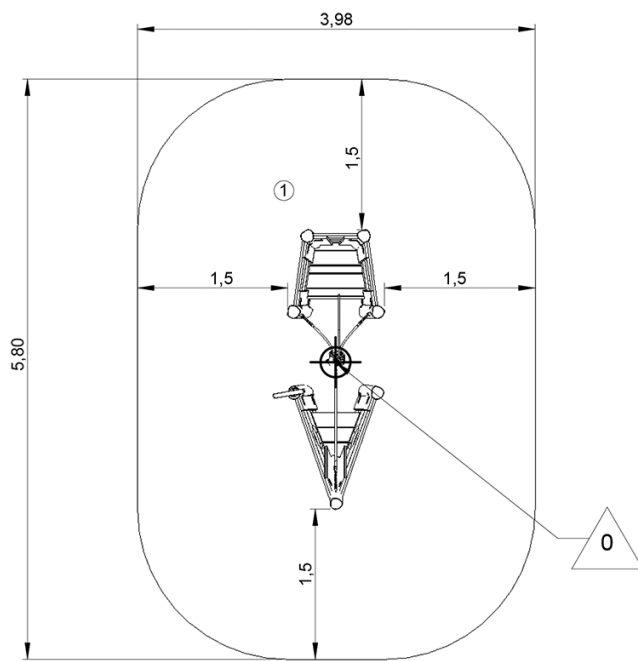
x1



Installation of equipment

IMPORTANT: It is essential to refer to the installation instructions for information on the size of the safety areas.

 Impact area (minimum normative surface)

 Free space



		
1	<0,6m	21,5m ²



2



01h00



0.4m³



21.5m²



247kg



231kg





