



2+



6



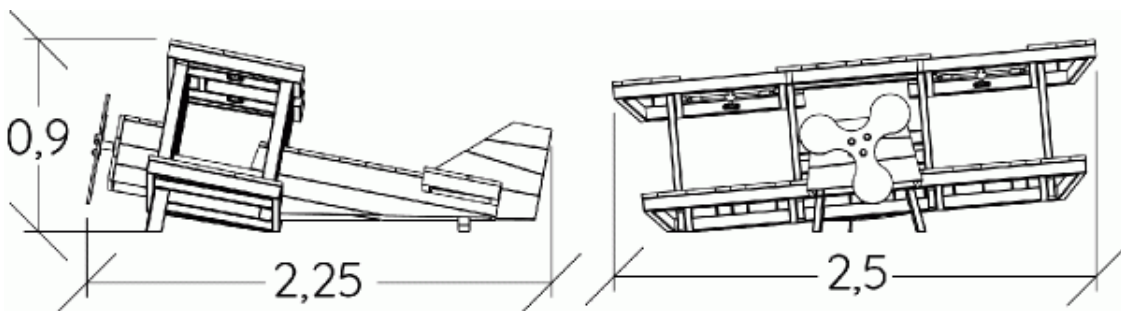
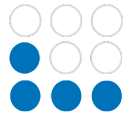
1m



1 = 2,5m  
2 = 2,25m  
3 = 0,9m



Physical inclusion  
Sensory inclusion  
Cognitive inclusion



Play value :

6

role play

meeting

resting

handling

crawling

climbing



x1



x1



x1



x1





x1

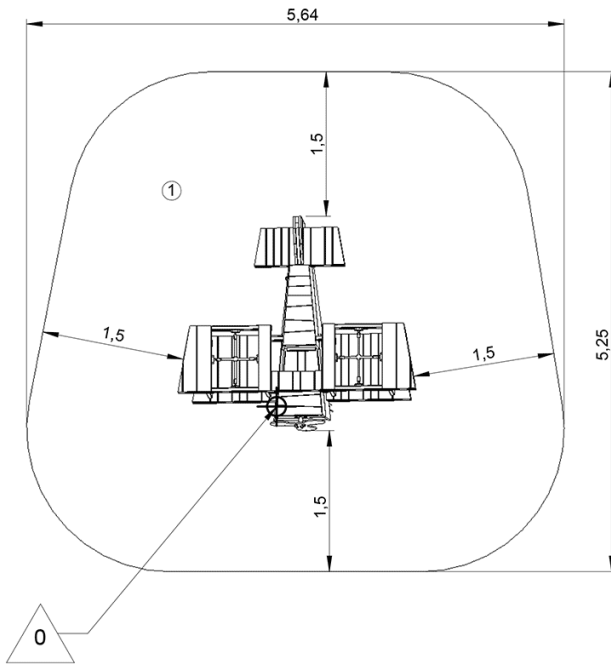




x1

## Installation of equipment

**IMPORTANT:** It is essential to refer to the installation instructions for information on the size of the safety areas.

-  Impact area (minimum normative surface)
-  Free space



|   |   |   |
|---|---|---|
|   |  |  |
| 1 | 1m  | 26m <sup>2</sup>  |



2



01h00



0.1m<sup>3</sup>



26m<sup>2</sup>



147kg



135kg

