

5 15 103 011 00

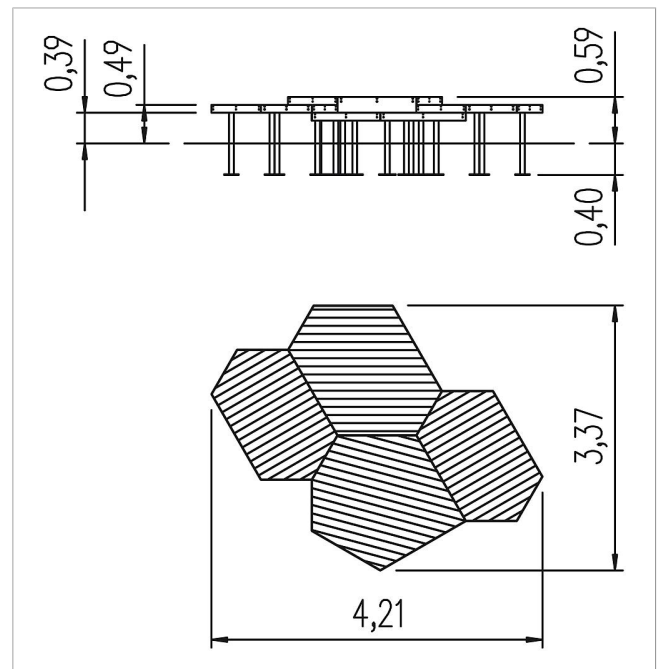
Basis Platform Siebengebirge

made in germany



Scope of delivery

16x stand: galvanised steel
4x platform: SW
19x plank: HPL



	Material	SW pi
	Minimum space	4,21x3,37x2,39 m
	Free falling height	59 cm
	Impact protection net	-
	Foundations	16x CF or 16x FPP
	Assembly	2 persons/2.5 h