



2+



28



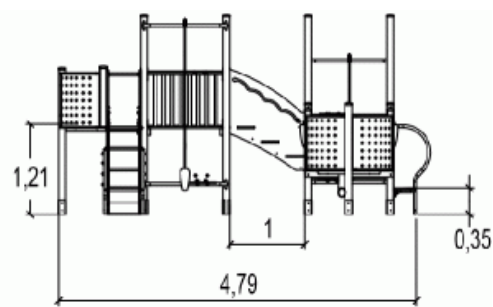
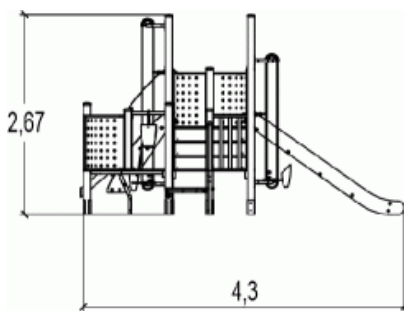
1,17m



1 = 5m  
2 = 4,4m  
3 = 2,8m



Physical inclusion  
Sensory inclusion  
Cognitive inclusion



Play value : **28**

role play



x2

sliding



x1

meeting



x4

handling



x8

hiding



x4

tactile stimulation



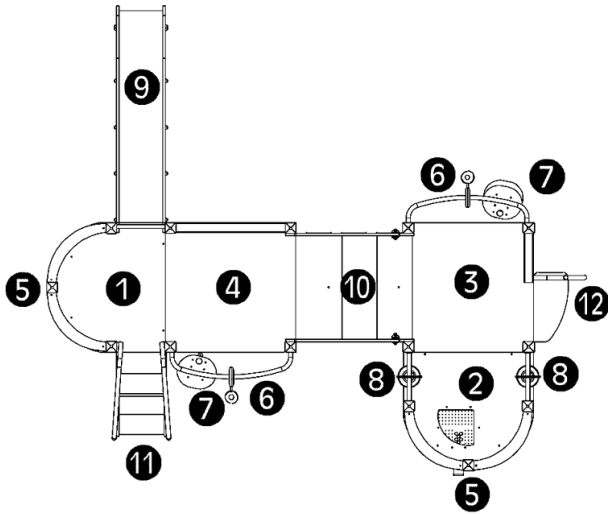
x6

climbing



x3

## Components

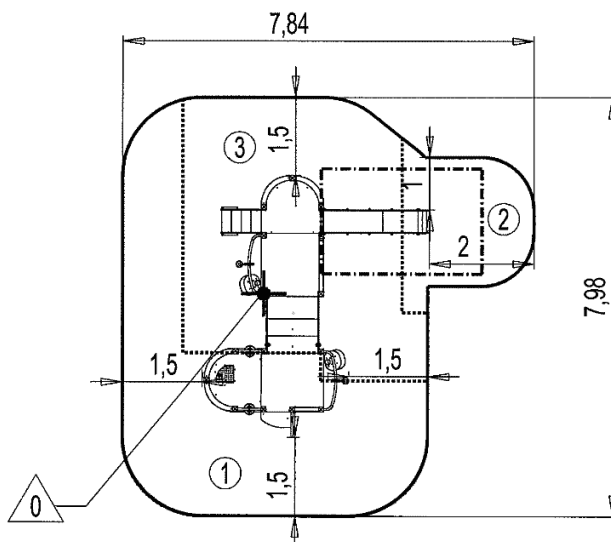


- ❶ Platform - 3 posts
- ❷ Sand effect platform - 4 posts
- ❸ Square Platform 1.2mx1.2m HT: 0.6m
- ❹ Square Platform 1.2mx1.2m HT: 1.17m
- ❺ Double grey balcony
- ❻ Crane HT: 0.6m and 1.17m
- ❼ Gutter HT: 0.6m et 1.17m
- ❽ Bucket
- ❾ Slide
- ❿ Stairs between platforms 0.6m L: 1m
- ⓫ Stairs (under 36 months)
- ⓬ 1 Step Access

## Installation of equipment

**IMPORTANT:** It is essential to refer to the installation instructions for information on the size of the safety areas.

- Impact area (minimum normative surface)
- Free space



Point de Référence  
Setting Out Point  
Punto de referencia  
Bezugspunkt



1	0,60m	21m <sup>2</sup>
2	1,00m	6m <sup>2</sup>
3	1,17m	21,5m <sup>2</sup>



2



25h00



0.4m<sup>3</sup>



48.5m<sup>2</sup>



662kg



22kg

